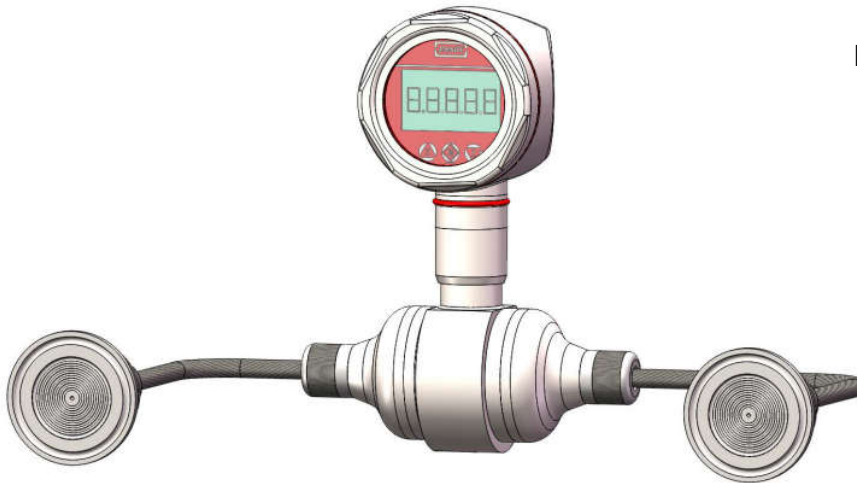


Product information

Brief introduction



Monosilicon pressure transmitter

SMP858-NSF monosilicon pressure transmitter is the best hygienic pressure transmitter meticulously designed by LEEG Instrument, with the world's most advanced silicon pressure sensor technology and patent encapsulation process. SMP858-NSF adopts full isolation seal structure to eliminate the humidity effects, suitable for severe wet cleaning occasion; double

diaphragm overload protection structure to achieve the highest overload pressure 24MPa, suitable for severe pressure overload situations; strong transient voltage resistance to meet the standards of level 4 (Differential mode voltage: 2000V, common mode voltage: 4000V), suitable for severe surge voltage occasion; seven temperature regions, 20 linearity points and 160 pressure calibration points, suitable for severe temperature change occasion. Those leading manufacturing technologies redefine the best quality of hygienic pressure transmitter.

Main parameters

Pressure types	Differential pressure
Measuring range	4kPa-1MPa, please refer to the ordering information chapter
Output signal	4-20mA, 4-20mA+HART, customer
Reference accuracy	±0.2% URL, ±0.5% URL

Field of application

Pressure and level measurement

Approvals



Measuring medium

Viscous, paste-like, adhesive, crystallising, particulatescontaining and contaminated media

Technical Specifications

Measuring range and limit

Nominal value	Smallest calibratable span	Lower range limit (LRL)	Upper range limit (URL)	Static pressure limit*	High pressure side overload limit*	Low pressure side overload limit*
40kPa	4kPa	-40kPa	40kPa	10MPa	10MPa	10MPa
250kPa	25kPa	-250kPa	250kPa	10MPa	10MPa	500kPa
1MPa	100kPa	-500kPa	1MPa	10MPa	10MPa	500kPa

Adjust requirements: lower range value (LRV) and upper range value (URV) can be adjusted within the scope of the upper and lower range limit, when $|URV| \geq |LRV|$, needs $|URV| \geq$ smallest calibratable span when $|URV| \leq |LRV|$, needs $|LRV| \geq$ smallest calibratable span

*Limit value of overpressure: depends on the pressure value of the parts with lowest pressure capacity

Standard specifications and reference conditions

Test standard: GB/T28474 / IEC60770; Zero based-calibration span, silicon oil filling, 316L stainless steel isolated diaphragm, 4-20mA analog output.

Static pressure effects

Effect on zero	$\pm 0.15TD \% URL/4MPa$
Effect on full scale	$\pm 0.2 \% URL/4MPa$

Performance specifications

The overall performance including but not limited to 【reference accuracy】 , 【environment temperature effects】 , 【static pressure effects】 and other comprehensive error

Typical accuracy: $\pm 0.2 \% URL$

Stability: $\pm 0.2 \% URL/ 5$ years

Power supply effects

When power supply voltage is within 10.5/16.5-55VDC, zero and span change should not more than $\pm 0.005 \% URL/V$

Mounting position effects

Install error less than 400Pa, which can be corrected by PV=0 reset.

Reference accuracy

Including linearity(BFSL), hysteresis and repeatability. calibration temperature: $20^{\circ}C \pm 5^{\circ}C$

Linear output accuracy	$Td \leq 10$ (note 1)	$\pm 0.2 \% URL$	Nominal value: 40kPa,250kPa 1MPa
	Max value	$\pm 0.5 \% URL$	

Square root output accuracy is 1.5 times linear output accuracy

Note 1: TD is Turn down
when $|URV| \geq |LRV|$, $TD = URL / |URV|$
when $|URV| \leq |LRV|$, $TD = URL / |LRV|$

Vibration effects

According to GB/T 1827.3/IEC61298-3, $< 0.1 \% URL$

Output signal

Two wire 4-20 mA output with digital communications, linear or square root output programmable, HART protocol is superimposed on the 4-20mA signal.

Ambient temperature effects

Within the range -20-80°C total impact	$\pm (0.1 + 0.15TD) \% URL$
--	-----------------------------

Disclaimer: all the data used in the product description is not legally binding. Relevant technical details may be changed due to further improve

Technical Specifications

Damping time

Total damping time constant: equal to the sum of damping time of amplifier and sensor capsule
Damping time of amplifier: 0-100S adjustable
Diaphragm capsule (isolated diaphragm and silicon oil filling) damping time: ≤0.2S
Startup after power off: ≤6S
Normal services after data recovery: ≤31S

Weight

Net weight: about 2.4kg(Tri-Clamp process connection accessory, without mounting brackets)
--

Environment condition

Items	Operation condition
Working temperature	-40-85°C, integrated LCD display: -20-70°C
Storage temperature	-40-110°C, integrated LCD display: -40-85°C
Media temperature	With silicon oil: -40-120°C
	With Neobee M-20: -10-180°C
Working humidity	5-100%RH@40°C
Protection class	IP67
Dangerous condition	ExialICT4(GYB16.1965X)

EMC environment

NO.	Test items	Basic standards	Test conditions	Performance level
1	Radiated interference	GB/T 9254/CISPR22	30MHz-1000MHz	OK
2	Conducted interference (DC power port)	GB/T 9254/CISPR22	0.15MHz-30MHz	OK
3	Electrostatic discharge immunity test (ESD)	GB/T 17626.2/IEC61000-4-2	4kV(Contact), 8kV(Air)	B(Note2)
4	Immunity to radio frequency EM-fields	GB/T 17626.3/IEC61000-4-3	10V/m(80MHz-1GHz)	A(Note1)
5	Power frequency magnetic field Immunity test	GB/T 17626.8/IEC61000-4-8	30A/m	A(Note1)
6	Electrical fast transient / Burst Immunity Test	GB/T 17626.4/IEC61000-4-4	2kV(5/50ns, 100kHz)	B(Note2)
7	Surge immunity requirements	GB/T 17626.5/IEC61000-4-5	1kV(Line to line) 2kV(Line to ground) (1.2us/50us)	B(Note2)
8	Immunity to conducted disturbances induced by radio frequency fields	GB/T 17626.6/IEC61000-4-6	3V(150kHz-80MHz)	A(Note1)

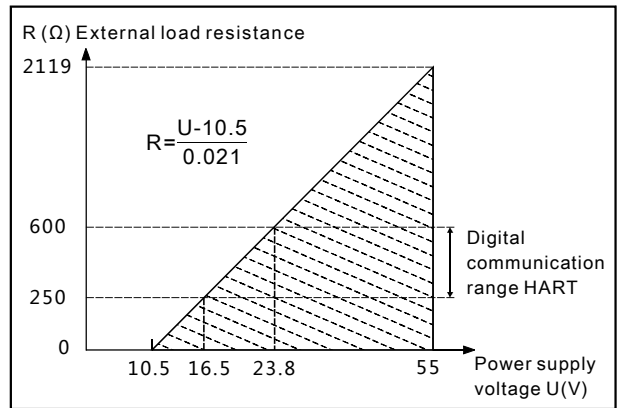
(Note 1) Performance level A: The performance within the limits of normal technical specifications.

(Note 2) Performance level B: Temporary reduction or loss of functionality or performance, it can restore itself. The actual operating conditions, storage and data will not be changed.

Power supply

Items	Operating conditions
Standard/flame proof	10.5-55VDC
HART protocol	16.5-55VDC, communication load resistance 250Ω
Load resistance	0-2119 Ω for working condition, 250-600Ω for HART protocol
Transmission distance	<1000 meters
Power consumption	≤500mW@24VDC, 20.8mA

Power supply and load requirements



Menu function

Transmission module type

Output signal	Local control	Remote control
4-20mA+HART	LCD/3 buttons on body	HART
4-20mA	LCD/3 buttons on body	-

LCD display unit

Display mode	Details
PV	Process variable shows on main screen, percentage and progress bar shows on secondary screen
mA	Current shows on main screen, percentage and progress bar shows on secondary screen
%	Percentage shows on main screen, percentage and progress bar shows on secondary screen

Unit

Unit	Definition
kPa	Kilopascal
MPa	Megapascals
bar	Bar
psi	Pounds per square inch
mmHg	Millimetre(s) of mercury@0°C
mmH2O	Millimeter of water@4°C
mH2O	Meter of water@4°C
inH2O	Inches of water@4°C
ftH2O	Feet of water@4°C
inHg	Inches of mercury@0°C
mHg	Meter mercury column@0°C
TORR	Torr
mbar	Millibar
g/cm2	Gram per square centimeter
kg/cm2	Kilogram per square centimeter
Pa	PA
ATM	Standard atmospheric pressure
mm	Millimeter(Note1)
m	Meter(Note1)

Note1: length unit need mark medium density

Measuring menu set

Mark	State
URV	Upper range value, 20mA
LRV	Lower range value, 4mA

Damping time

Units	Setting range
S	0-100

Analog output type

Parameters	Output type
mA LINER	Linearity
mA <input checked="" type="checkbox"/>	Square root

Alarm signal

Parameters	Alarm signal
ALARM NO	None
ALARM H	20.8mA
ALARM L	3.8mA

Fix output

Parameters	Fix output value
FIX/C NO	None
3.8000	3.8000mA
4.0000	4.0000mA
8.0000	8.0000mA
12.000	12.000mA
16.000	16.000mA
20.000	20.000mA
20.800	20.800mA

Quick menu

Parameter	Instruction
PV=0	Set current output to zero value, used to correct the error caused by static pressure and installation.
Zero adjustment	4mA re-range with pressure
Span adjustment	20mA re-range with pressure
Restore factory setting	Restore backup data when error

Product selection instruction

Sensor type

Code	Nominal value	Description
S403D	40kPa	Range -40kPa-40kPa, smallest calibratable span 4kPa
S254D	250kPa	Range -250kPa-250kPa, smallest calibratable span 25kPa
S105D	1MPa	Range -500kPa-1000kPa, smallest calibratable span 100kPa

Code	Position	Instruction
F	Sensor seal	Stainless steel welding seal

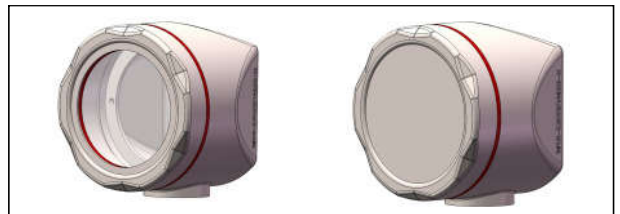
Diaphragm(S)



Electrical connection select instruction

Code	Item	Description
F1	Electrical connection	Stainless steel terminal, aviation plug M12*1(4 pin) (H2), IP67, vertical mounting
F2		Stainless steel terminal, aviation plug M12*1(4 pin) (H2), IP67, horizontal mounting

Housing(F1)



Housing(F2)

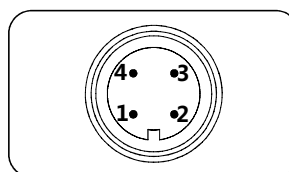


Aviation plug, M12*1,4 pin(H2)



Aviation plug, M12*1,4 pin(H2)

Aviation plug, M12*1,4 pin(H2)

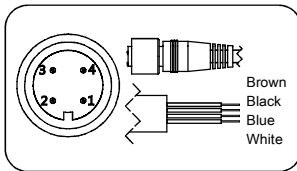


Lable	Two wire
1	Power+
2	
3	
4	Power-

Product selection instruction

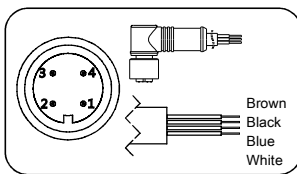
Electrical connection accessories

Aviation plug straighter(J1)



Label	Two wires
1/Brown	Power+
2/White	
3/Blue	
4/Black	Power-

Aviation plug elbow(J2)



Label	Two wires
1/Brown	Power+
2/White	
3/Blue	
4/Black	Power-

Transmission module

Code	Items	Description
F	Output signal	4-20mA two wire, power supply: 10.5-55VDC
H		4-20mA+HART two wire, power supply: 16.5-55VDC
A	Display	Without display
C		With LCD display

Display module(C)



Process connection select instruction

Connection position	HL	High, low-pressure side connection
	/H	High-pressure side connection (High-pressure side value≠ low-pressure side value)
Connection type	C	Capillary transmission
Capillary type	M2	Armoured SUS304, outer diameter: 3.5mm
Capillary length	XX	XX value range: 00-10, samples: 02=2 meters; 10=10meters
Isolated filling fluid	S	Silicon oil, process temperature: -45-205°C
	H	High-temperature silicon oil, process temperature: 0-315°C
	F	Neobee M-20, process temperature: -10-180°C
Wetted parts material	4	SUS304
	6	SUS316
Diaphragm material	S	SUS316L
	H	Hastelloy C
Flange specifications	H01	HG/T 20592-2009, DN50PN10 raised face flange
	H05	HG/T 20592-2009, DN80PN10 raised face flange
	H06	HG/T 20592-2009, DN100PN10 raised face flange
	K01	Tri-Clamp 1-1/2"
	K02	Tri-Clamp 2"
Insert tube diameter	D00	None
	D01	Diameter:66mm, length:50mm
Connection position	/L	Low-pressure side connection (High-pressure side value≠ low-pressure side value)
Connection type	C	Capillary transmission
Capillary type	M2	Armoured SUS304, outer diameter 3.5mm
Capillary length	XX	XX value range: 00-10, samples: 02=2 meters; 10=10meters

Product selection instruction

Process connection select instruction

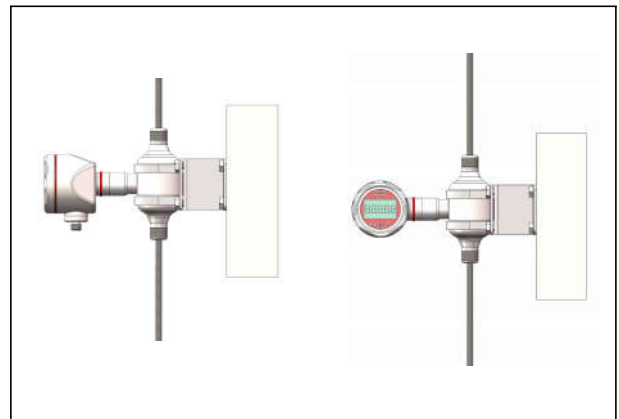
Wetted parts material	4	SUS304
	6	SUS316
Diaphragm material	S	SUS316L
	H	Hastelloy C
Flange specifications	H01	HG/T 20592-2009, DN50PN10 raised face flange
	H05	HG/T 20592-2009, DN80PN10 raised face flange
	H06	HG/T 20592-2009, DN100PN10 raised face flange
	K01	Tri-Clamp 1-1/2"
	K02	Tri-Clamp 2"
Insert tube diameter	D00	None
	D01	Diameter: 66mm, length: 50mm

Product selection instruction

Fixed mounting accessory select instruction

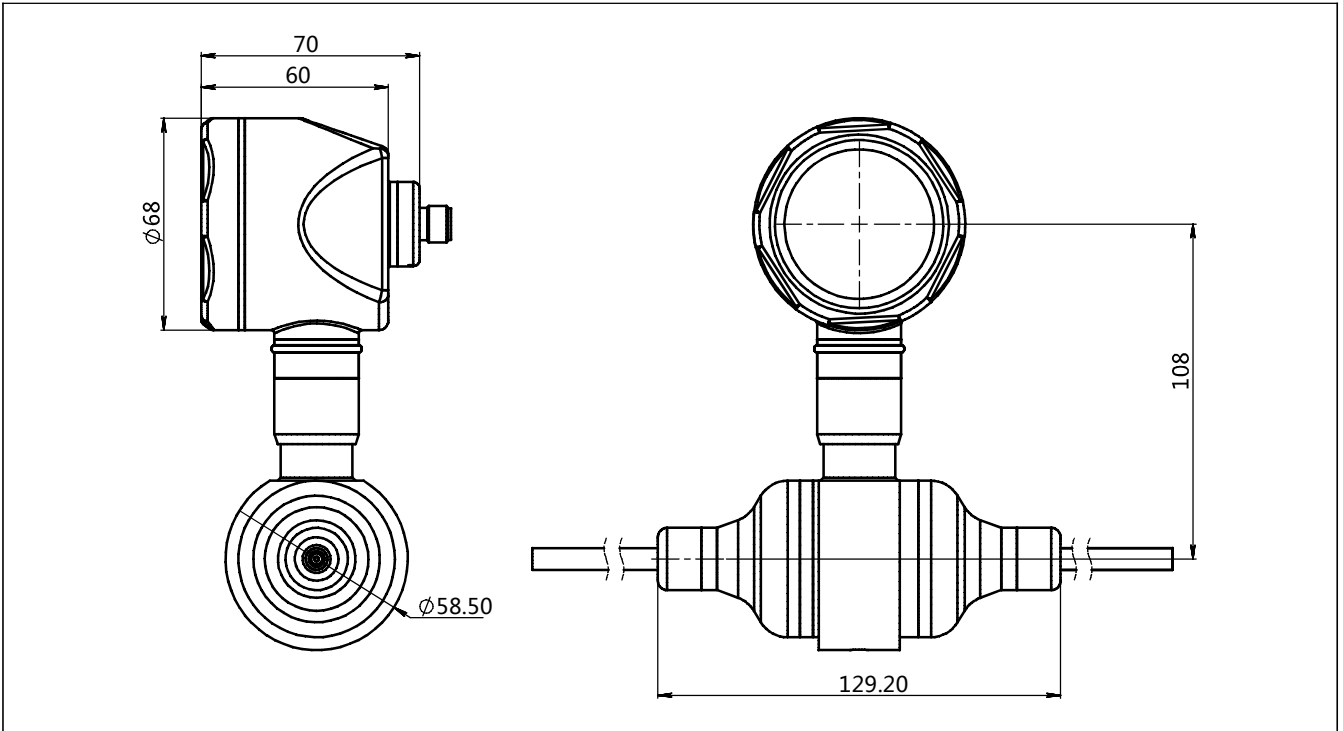
Code	Item	Description
B5	Fixed mounting accessory	U-shape bracket, apply to dual remote products without process flanges

Fixed mounting bracket (B5)

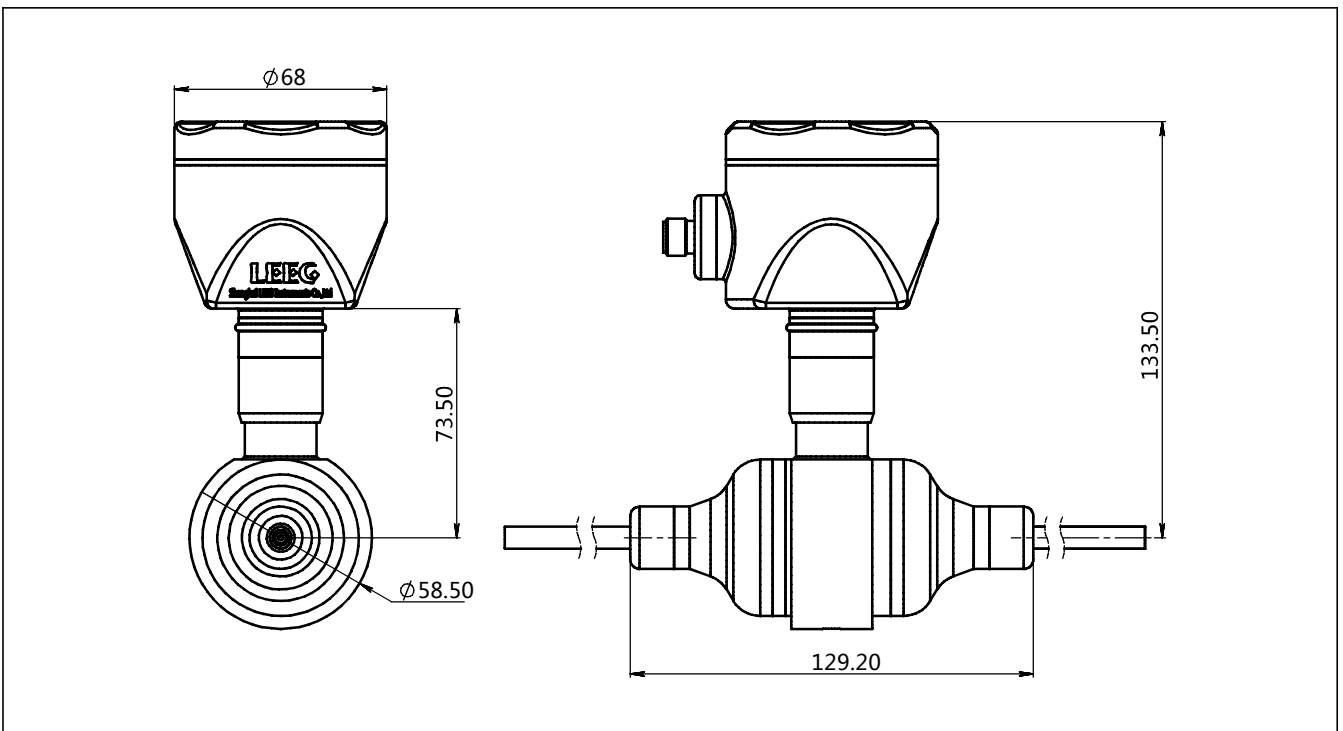


Product drawing and dimension

Drawing and dimension with display (C) / without display (A) vertical installation (F1) (unit: mm)



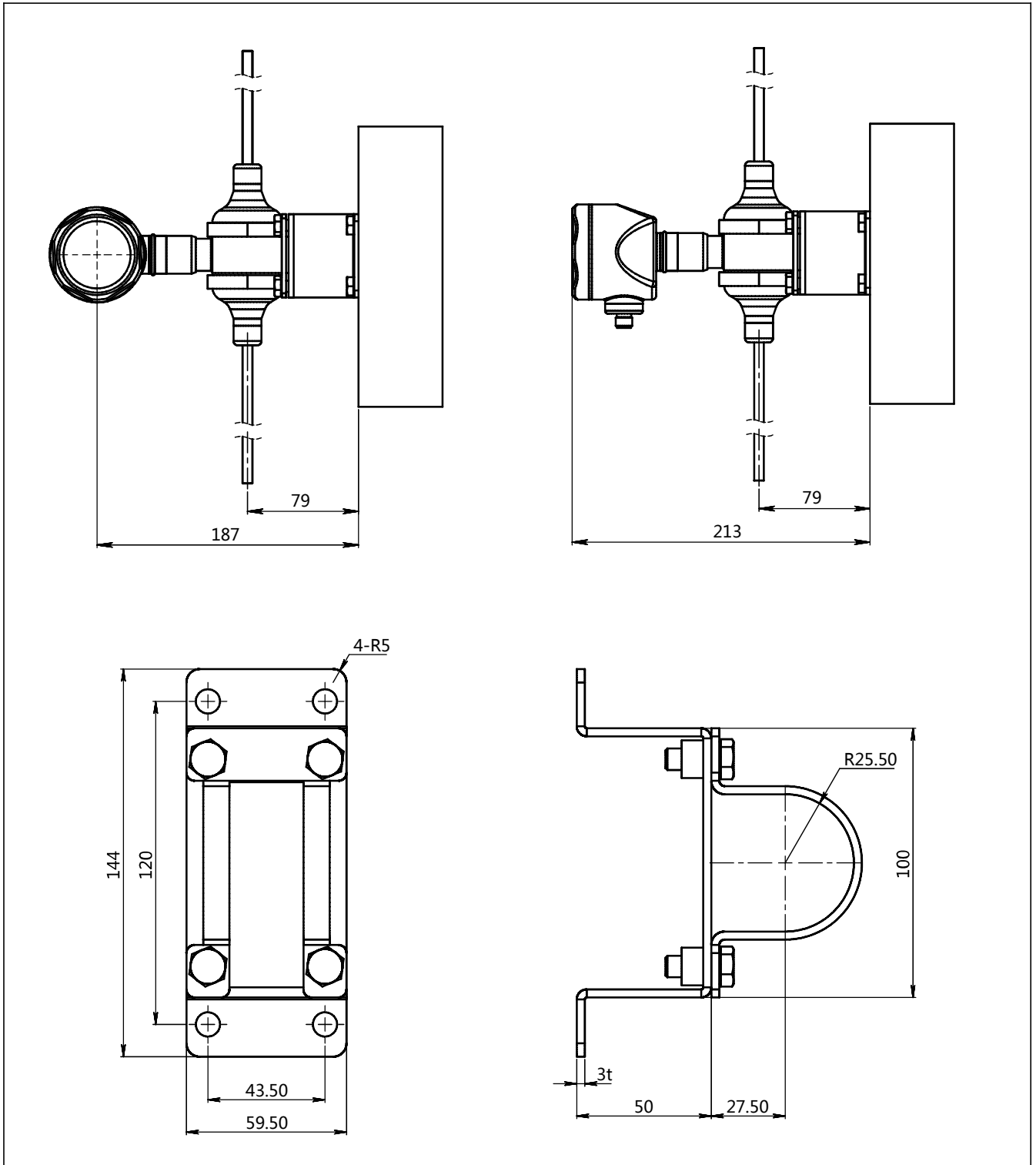
Drawing and dimension with display (C) / without display (A) horizontal installation (F2) (unit: mm)



Disclaimer: all the data used in the product description is not legally binding. Relevant technical details may be changed due to further improve

Product drawing and dimension

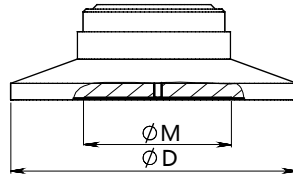
Fixed mounting bracket (B5) drawing and dimension (unit: mm)



Disclaimer: all the data used in the product description is not legally binding. Relevant technical details may be changed due to further improve

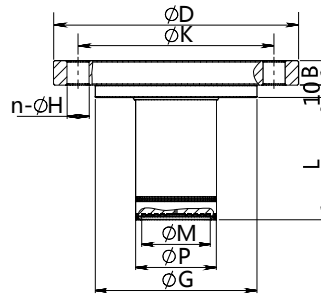
Product drawing and dimension

Process connection (K01-K02)(unit: mm)



Standard	Specification	Size(ϕD)	Corrugation size(ϕM)
Tri-Clamp	1-1/2"	50.5	31
Tri-Clamp	2"	64	42

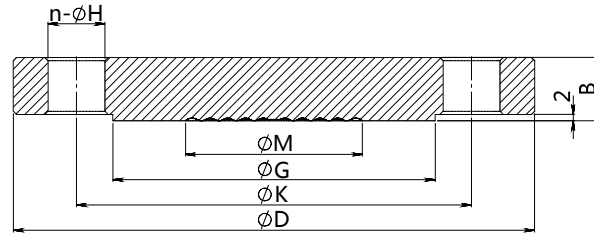
Process connection (D01-D03)(unit: mm)



Standard	Specification	Outer diameter(ϕD)	Thickness(B)	Raised face diameter(ϕG)	Hole circumference(ϕK)
HG/T20592-2009	DN80PN10	200	20	138	160
HG/T20592-2009	DN80PN10	200	20	138	160
HG/T20592-2009	DN80PN10	200	20	138	160
Number(n)	Hole diameter(ϕH)	Insert tube diameter(ϕP)	Insert tube length(L)	Corrugation size(ϕM)	
8	18	66	50	42	
8	18	66	100	42	
8	18	66	150	42	

Product drawing and dimension

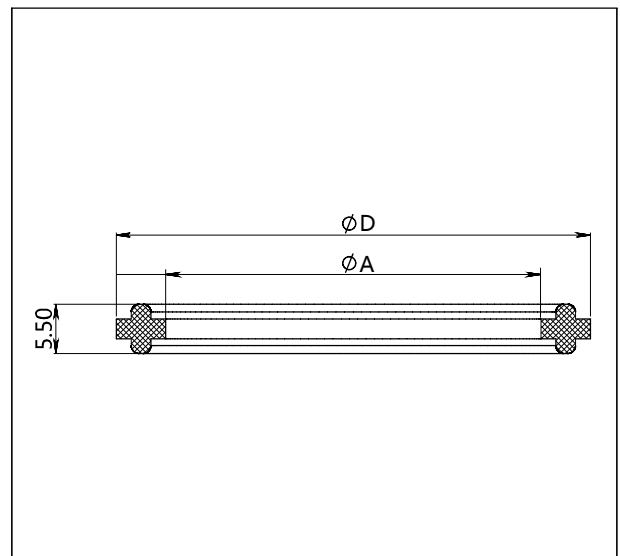
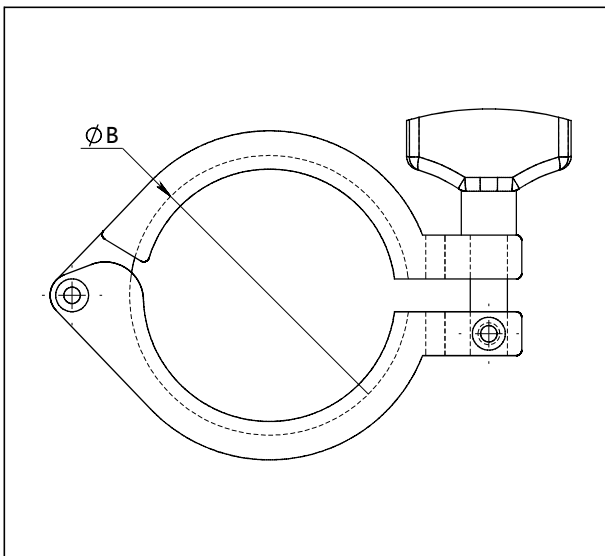
Process connection (H01, H05-H06) (unit: mm)



Standard	Specification	Outer diameter(ϕD)	Thickness(B)	Hole circumference(ϕK)
HG/T20592-2009	DN50PN10	165	19	125
HG/T20592-2009	DN80PN10	200	20	160
HG/T20592-2009	DN100PN10	200	20	160
Raised face diameter(ϕG)	Hole diameter(ϕH)	Number(n)	Corrugation size(ϕM)	
102	18	4	42	
138	18	8	42	
158	18	8	42	

Tri-Clamp (G1-G2)(unit: mm)

Sealing gasket(M1-M2)(unit: mm)



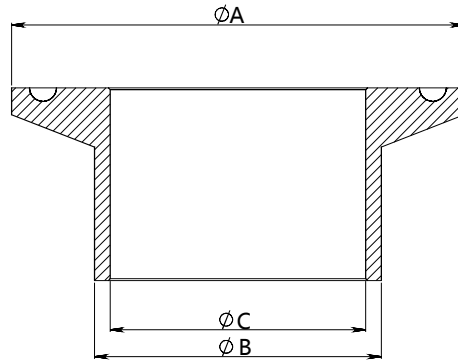
Standard	Specification	Dimension(ϕB)
Tri-Clamp	1-1/2"	53.9
Tri-Clamp	2"	67.4

Standard	Specification	Size(ϕD)	Size(ϕA)
Tri-Clamp	1-1/2"	50.5	35
Tri-Clamp	2"	64	47.8

Disclaimer: all the data used in the product description is not legally binding. Relevant technical details may be changed due to further improve

Product drawing and dimension

Welding adapter(Z1-Z2) (unit: mm)



Standard	Specification	Size(ΦA)	Size(ΦB)	Size(ΦC)
Tri-Clamp	1-1/2"	50.5	38	35.6
Tri-Clamp	2"	64	51	48.6

Ordering information chapter

Item	Parameters	Code	Instruction	(*) fast delivery available
	Model	SMP858-NSF	Monosilicon differential pressure transmitter	
Sensor	Separator	-	Detailed specifications as following	
	Pressure range code	S403D	Nominal value(URL): 40kPa	*
		S254D	Nominal value(URL): 250kPa	*
		S105D	Nominal value(URL): 1MPa	*
	Sensor seal	F	Stainless steel welding seal	
Electrical connection	Separator	-	Detailed specifications as following	
	Electrical connection	F1	Stainless steel terminal, aviation plug M12*1 (4 pin) (H2), IP67, vertical mounting	*
		F2	Stainless steel terminal, aviation plug M12*1 (4 pin) (H2), IP67, horizontal mounting	*
	Cable entry protector	R0	None	
Output	Separator	-	Detailed specifications as following	
	Output signal	F	4-20mA two wire, power supply: 10.5-55VDC	*
		H	4-20mA+HART two wire, power supply: 16.5-55VDC	
	Display	C	LCD display	*
		A	Without LCD display	
Process connection	Separator	-	Detailed specifications as following	
Process connection (High-pressure side)	Connection position	HL	High, low-pressure side connection(High-pressure side value=low-pressure side value)	
		/H	High-pressure side connection(High-pressure side value≠ low-pressure side value)	
	Connection type	C	Capillary transmission	*
	Capillary type	M2	Armoured SUS304, outer diameter 3.5mm	*
	Capillary length	XX	XX value range: 00-10,samples: 02=2 meters; 10=10meters	
	Isolated filling fluid	S	Silicon oil, process temperature: -45-205°C	*
		H	High-temperature silicon oil, process temperature: 0-315°C	
		F	Neobee M-20, process temperature: -10-180°C	*
	Wetted parts material	4	SUS304	*
		6	SUS316	
	Diaphragm material	S	SUS316L	*
		H	Hastelloy C	
	Flange specifications (Note1)	H01	HG/T 20592-2009, DN50PN10 raised face flange(Max measuring range: 1MPa)	*

Disclaimer: all the data used in the product description is not legally binding. Relevant technical details may be changed due to further improve

Ordering information chapter

		H05	HG/T 20592-2009, DN80PN10 raised face flange(Max measuring range: 1MPa)	*	
		H06	HG/T 20592-2009, DN100PN10 raised face flange(Max measuring range: 1MPa)	*	
		K01	Tri-Clamp 1-1/2"(Max measuring range: 2MPa)	*	
		K02	Tri-Clamp 2"(Max measuring range: 2MPa)	*	
	Insert tube diameter	D00	None		*
		D01	Diameter: 66mm, length: 50mm		
Process connection (Low-pressure side)	Connection position	/L	Low-pressure side connection(High-pressure side value≠ low-pressure side value)	*	
	Connection type	C	Capillary transmission	*	
	Capillary type	M2	Armoured SUS304, outer diameter 3.5mm		
	Capillary length	XX	XX value range: 00-10, samples: 02=2 meters; 10=10meters		
	Isolated filling fluid	S	Silicon oil, process temperature: -45-205°C		*
		H	High-temperature silicon oil, process temperature: 0-315°C		
		F	Neobee M-20, process temperature: -10-180°C		*
	Wetted parts material	4	SUS304		*
		6	SUS316		
	Diaphragm material	S	SUS316L		*
		H	Hastelloy C		
	Flange specifications (Note1)	H01	HG/T 20592-2009, DN50PN10 raised face flange(Max measuring range: 1MPa)		*
		H05	HG/T 20592-2009, DN80PN10 raised face flange(Max measuring range: 1MPa)		*
		H06	HG/T 20592-2009, DN100PN10 raised face flange(Max measuring range: 1MPa)		*
K01		Tri-Clamp 1-1/2"(Max measuring range: 2MPa)		*	
K02		Tri-Clamp 2"(Max measuring range: 2MPa)		*	
Insert tube diameter		D00	None		
	D01	Diameter: 66mm, length: 50mm			
Additional options	Separator	-	Detailed specifications as following		
	Fixed mounting accessory	/B5	U-shape bracket, apply to dual remote products without process flanges	*	
	Electrical connection accessory	/J1	Aviation female plug (straighter) with 2m cable, 4 pin, M12*1, IP67		*
		/J2	Aviation female plug (elbow) with 2m cable, 4 pin, M12*1, IP67		
	Process connection accessory	/G1	1.5" Tri-Clamp		*
		/G2	2" Tri-Clamp		*
/M1		1.5" sealing gasket		*	

Disclaimer: all the data used in the product description is not legally binding. Relevant technical details may be changed due to further improve

Ordering information chapter

		/M2	2" sealing gasket	*
		/Z1	Welding adapter for 1-1/2" tri-clamp	
		/Z2	Welding adapter for 2" tri-clamp	
	Display mode	/D1	According to your requirement	
	Calibration report	/Q1	Calibration report provided by our company	*
		/Q2	Calibration report provided by chinese authorised third party	
		/Q3	Static pressure report (Differential pressure only)	
	Approvals (multiple)	/I1	Intrinsic safety certificate, ExialICT4, NEPSI	*
		/F3	CE certificate	*
	Wetted parts treatment	/G1	Ungrease treatment	
/G2		Electropolishing treatment		

Note 1: Measuring range: 10kPa-1MPa. If the min measuring range is 10kPa, the single-end capillary length can not be more than 1m. Less than 1m need to confirm with engineers.

Factory settings and parameters

Item	Menu mark	Factory setting value
Tag position	None	0(No specific settings)
Analog output type	mA	Liner(No specific settings)
Display mode	DISP	PV(No specific settings)
Alarm signal	ALARM	No(No specific settings)

Item	Menu mark	Factory setting value
Damping value	DAMP	0(No specific settings)
4mA Lower range value	LRV	According to the order value
20mA Upper range value	URV	According to the order value
Process unit	U	According to the order

Approvals

Factory certificate

Certification organization	Intertek
Quality management system	ISO9001-2008
Scope of certification	Design and production of pressure transmitter
Registration number	110804039

Intrinsic safety certificate

Certification organization name	NEPEI
Licenses range	SMP858 series pressure transmitter
Explosion-proof mark	ExiallCT4
Ambient temperature	-40-+60°C
Medium maximum temperature	+120°C
Registration number	GYB16.1965X
Intrinsically safe parameter description	Maximum input voltage: 28VDC
	Maximum input current: 100mA
	Maximum internal equivalent parametersCi(uF): 0
	Maximum internal equivalent parametersLi(mH): 0

CE

Certificate organization	ISET
License scope	SMP858 series pressure transmitter
Mark	CE
EMC instruction	2014/30/EU
Standard	EN61326-1: 2013
Registration number	IT051353LG161207



scan & follow LEEG wechat



check website for more info