

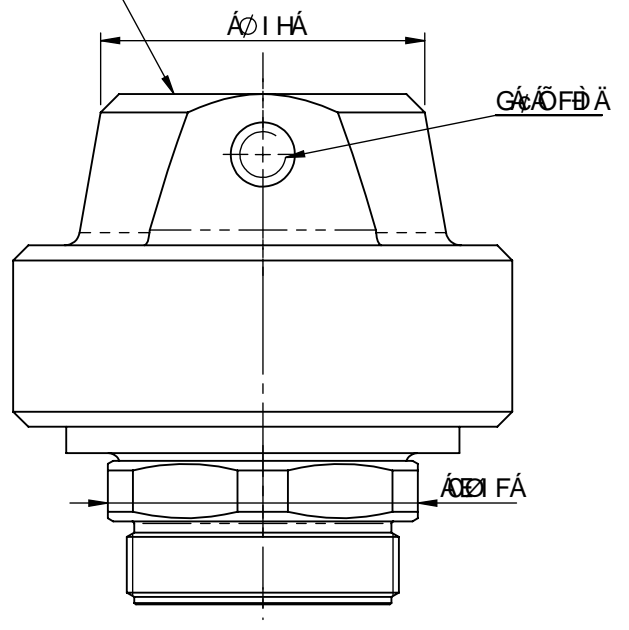
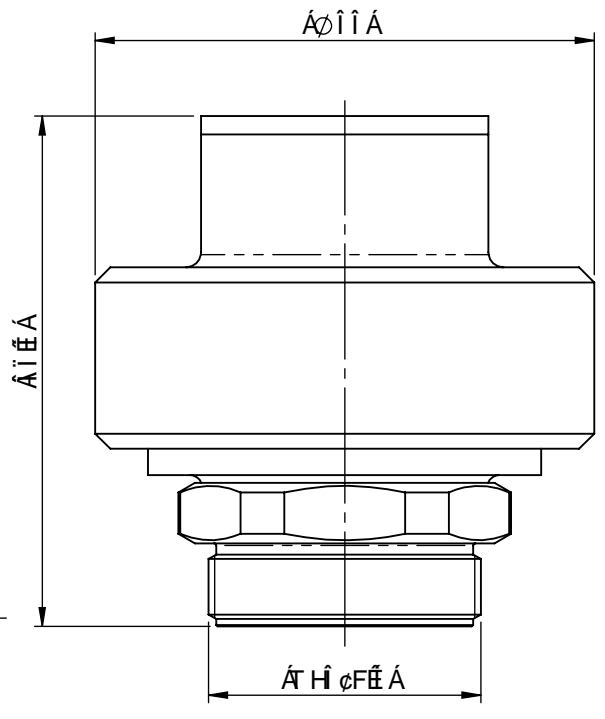
: %&\$\$\$

5

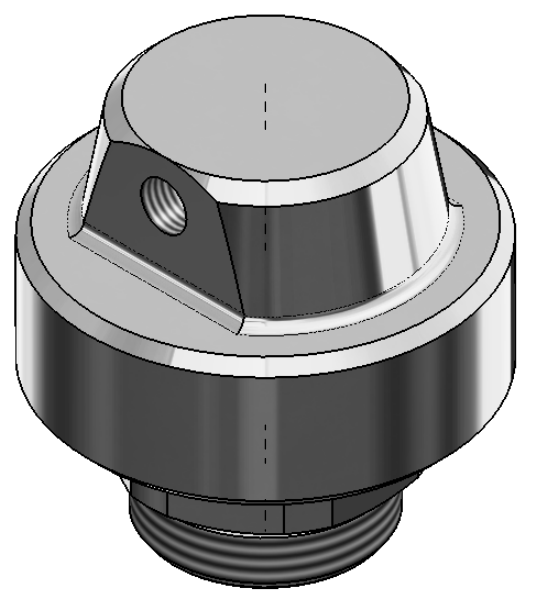
{ æ\ā *K
 æcā\^Å { à\k
 àæ\^Å-Å æ~ æc\^k
 { æ~ æc\^k
] a\^ \^• \^Å a
] a\^ \^• \^Å æ
 q\^ \^k

ØFFG
 YYYBY Y
 ØBY æ\^&
 U\^ a\^ Å aæÅ\^ ÅUFM
 Å a\^ Å
 G P\^ Å G

6



8



9

5" [Ya Y]hc YrÜbnYb bUW 8-B -GC &+*, !%a	Hc YrÜbnYb ZÖF: cfa i bX @U[Y bUW 8-B -GC &+*, !& <	5" Y i bVYa U» rYb? UbYb i bX F UX]yb. F \$z&	; Yk]Mh %\$%&Z [I B@9GG CH<9FK -G9 GD97 ÷ 98. 8-A 9BG<CBG 5F 9 -B A -æA 9H9F G
			A UYf]U.	
			H]Y'. dbYi a UH]WYf YUgY XYj]W dbYi a UH]gWYf 5i gÖgYf	
U (%&\$))	æXYI Ub[Y]M i b[A @	\$ ("%\$ %&	
: æXYI YbXYf b[öYgW]Y]M i b[XYFYbXYfi b[BUa Y	BUi a	
	æXi gff]YdUF_ F Y[]cb H]Yf 9i fcdU5 "YY %&) (' : ÖNYb 8Yi]gW UbX Z (- r5E*) \$& - ' -) %& \$	8U i a . \$("\$) "&\$ %& BUa Y. A "' @cf] [; Ydf".	NY]Wbi b[gbi a a Yf. : %&\$\$\$ 5(æXYI æ
			A U» g]UW.%%	G<99H %C: %