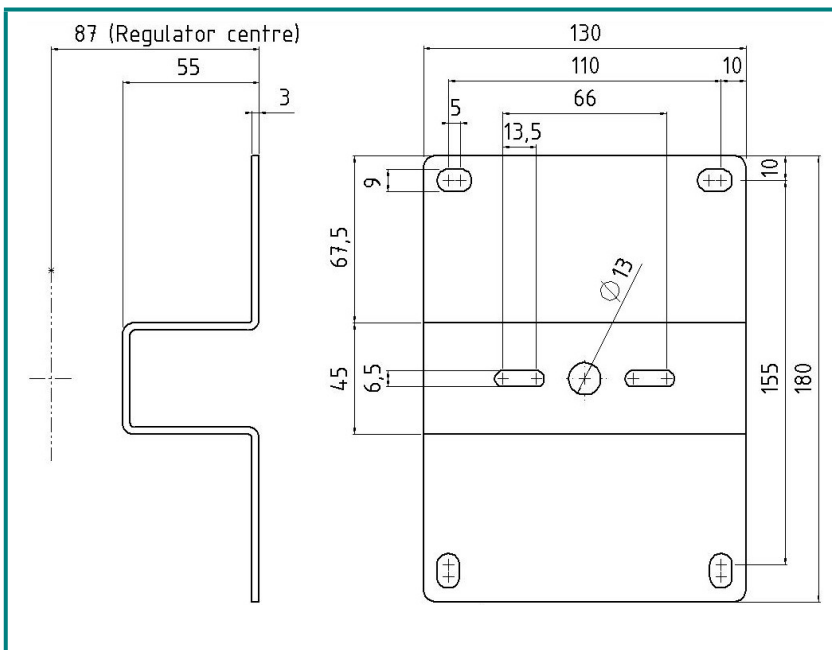
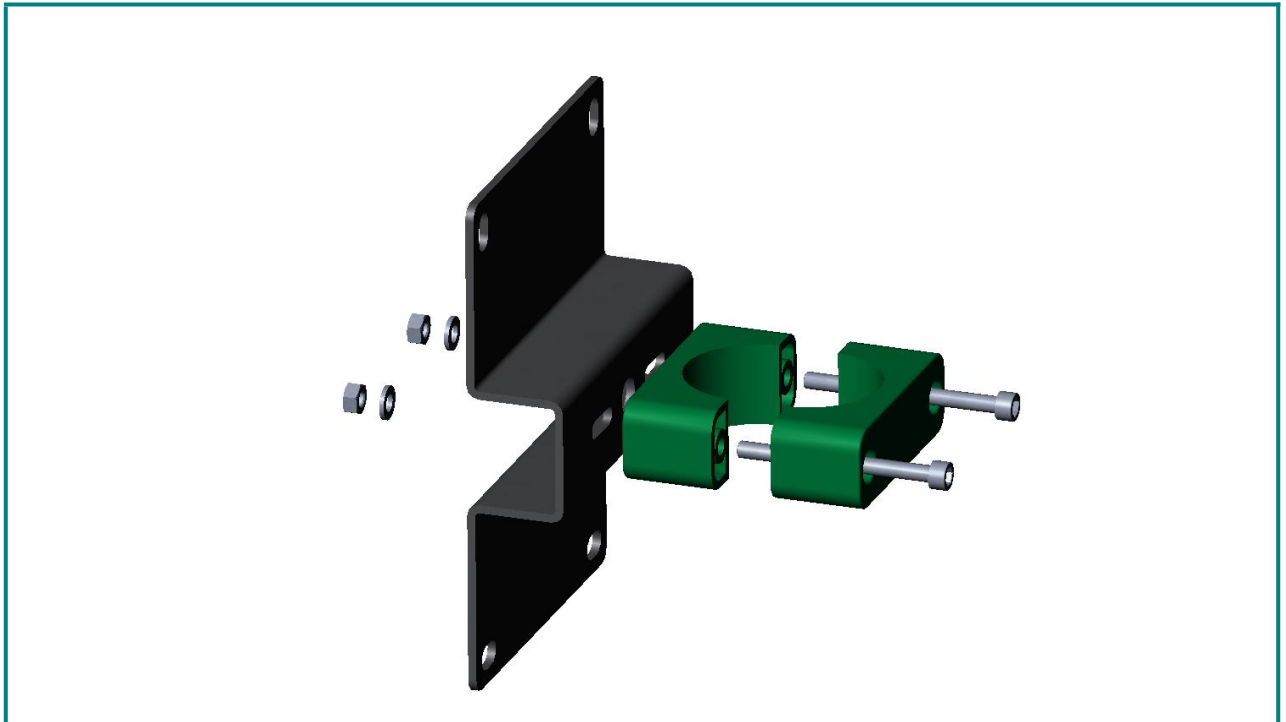


Wall mounting bracket set for ZD400 / PFR / ZD150 /RK1



The mounting bracket set assures the secure mounting of the pressure regulators ZD400, PFR, ZD150 and the RK1.

Bestell-Nr. 650010

Consists of:

Quantity	Article
1	Bracket (painted)
2	Ø50 clamp
2	Screw
2	nut
2	Washer

Hornung Quality standard

The company Hornung is certified to **DIN EN ISO 9001 and ISO 14001:2009.**

All single parts are manufactured, assembled and tested in house.

The finished parts are therefore under the criteria of our exact quality control with 100% final control.

Hornung GmbH
Rathenaustraße 55, 63263 Neu-Isenburg

Phone: +49 6102 7883-70
Fax: +49 6102 7883-40

www.hornung.org
info@hornung.org

