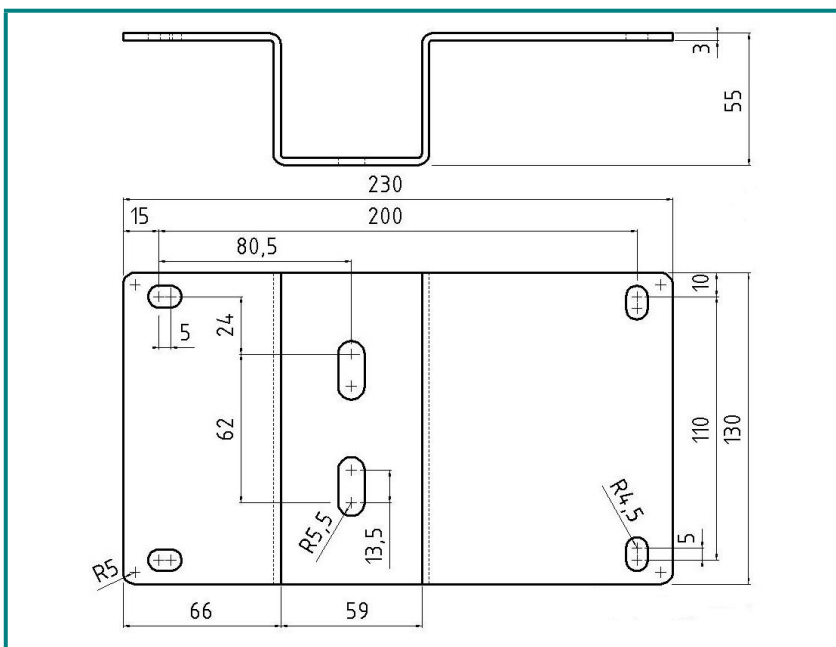
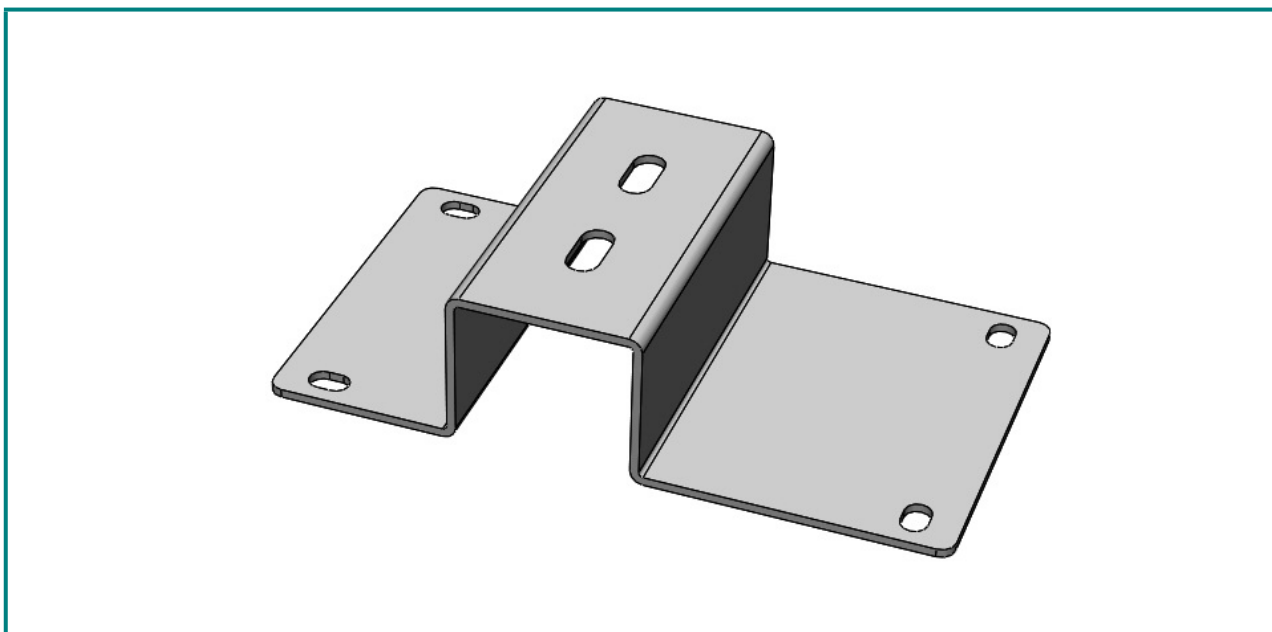


Wall mounting bracket in stainless steel, electrolytically polished, for Pressure regulator D2



The stainless steel bracket assures the secure mounting of the pressure regulator D2.

Order-No. 650004

Consists of:

Quantity	Article
1	Mounting bracket

Hornung Quality standard
 The company Hornung is certified to **DIN EN ISO 9001 and ISO 14001:2009**. All single parts are manufactured, assembled and tested in house. The finished parts are therefore under the criteria of our exact quality control with 100% final control.