

Fine filter F2



Description:

The high pressure filter F1 is a stainless steel 1.4404 or brass manufactured fine filter with a replaceable filter element made of sintered bronze or high-grade steel.

The built-in Filter element holds back solid particles to 20 and/or 40 Micron and permits only cleansed gases or liquids to flow to the following equipment.

Design:

The in and outlet this fine filter is equipped with a standard internal thread G3/8". In order to constantly have the maximum flow capacity available, it is advisable to periodically examine the filter element and replace when necessary.

Application area:

We urgently recommend the use of this filter element in connection with our pressure-regulators, where the accuracy and life span of pressure-regulators can be substantially increased with a clean medium.

Further application areas exist in high pressure pneumatics for the protection of sensitive measuring equipment and controllers.

Technical details:

Material:	brass / stainless steel
Gaskets:	viton
max. pressure:	420 bar
Pore size:	20 or 40 μ (bronze) 20 or 35 μ (st. steel)
Operating temp.:	-20°C to +70°C
Size:	38 x 70 x 71
Weight:	640 g
Connections:	inlet G 3/8" m outlet G 3/8" f

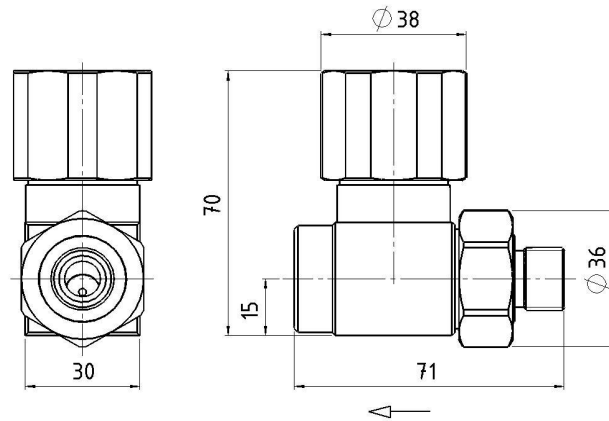
Horning Quality standard

The company Hornung is certified to

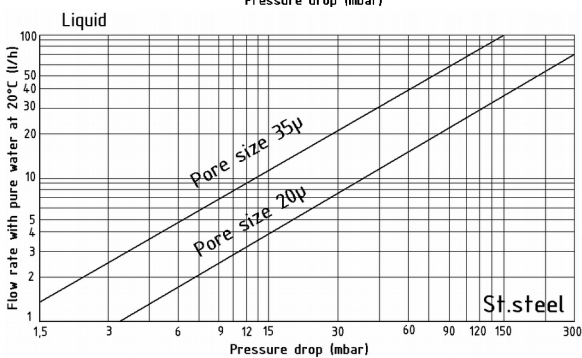
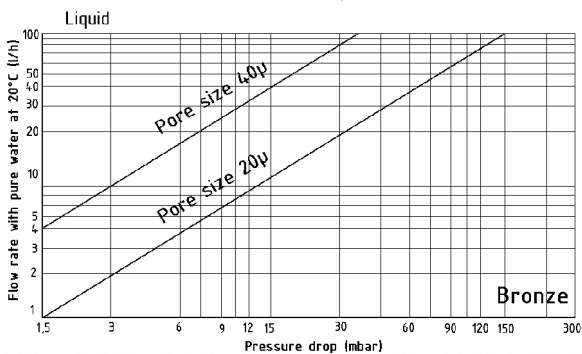
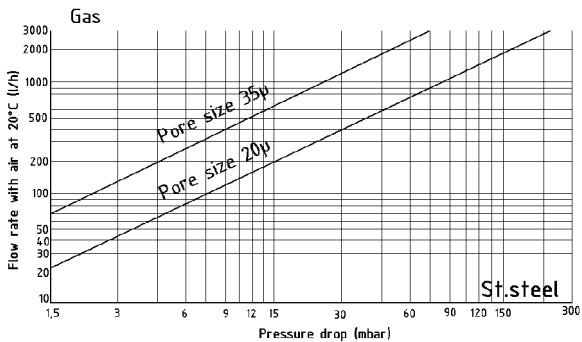
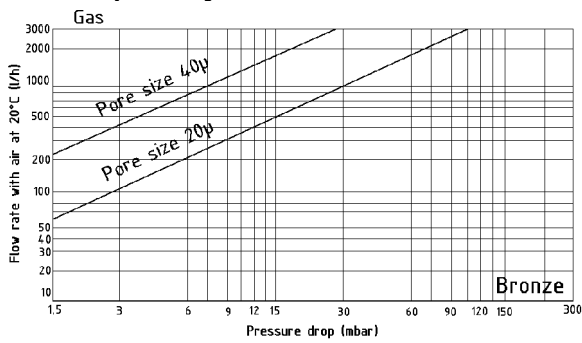
DIN EN ISO 9001 and ISO 14001:2009.

All single parts are manufactured, assembled and tested in house.

The finished parts are therefore under the criteria of our exact quality control with 100% final control.



Medium porosity



Order details:

Material:

- 1 = brass
- 2 = stainless steel

Filter element

- 1 = bronze 20µ
- 2 = bronze 40µ
- 3 = stainless steel 20µ
- 4 = stainless steel 35µ

Order example:

Filtertyp	
32	F1

32	- 1	1	Medium
Type	Material	Filter element	Medium

Accessories:

Filter elements, O-rings