

Fine filter F1



Description:

The fine filter F1 is a stainless steel 1.4404 or brass manufactured filter with a replaceable filter element made of sintered bronze or high-grade steel.

The built-in filter element holds back solid particles to 20 and/or 40 Micron and permits only cleansed gases or liquids to flow to the following equipment.

Design:

The in and outlet this fine filter is equipped with a standard internal thread G1". In order to constantly have the maximum flow capacity available, it is advisable to periodically examine the filter element and replace when necessary.

Application area:

We urgently recommend the use of this filter element in connection with our pressure regulators D1, DH1 and L1, where the accuracy and life span of pressure regulators can be substantially increased with a clean medium. Further application areas exist in high pressure pneumatics for the protection of sensitive measuring equipment and controllers.

Technical details:

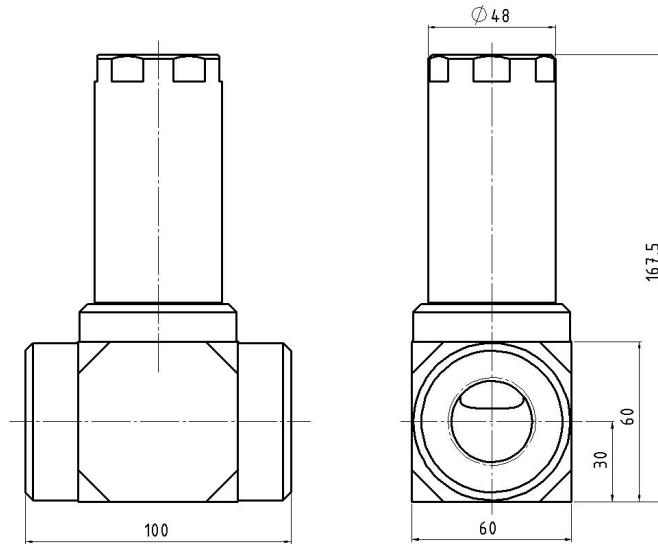
Material:	brass / stainless steel
Gaskets:	viton
max. pressure:	420 bar
Pore size:	20 or 40µ (bronze) 20 or 35µ (st. steel)
Operating temp.:	-20°C to +70°C
Size:	60 x 100 x 168
Weight:	3400 g
Connections:	in/outlet G 1" f

Horning Quality standard

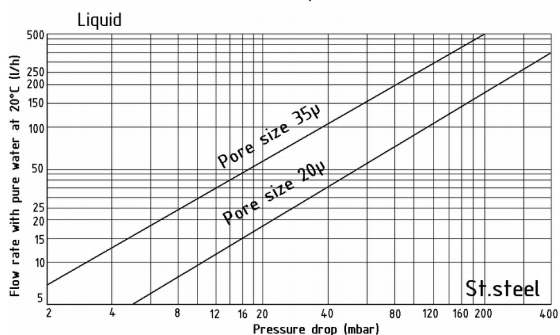
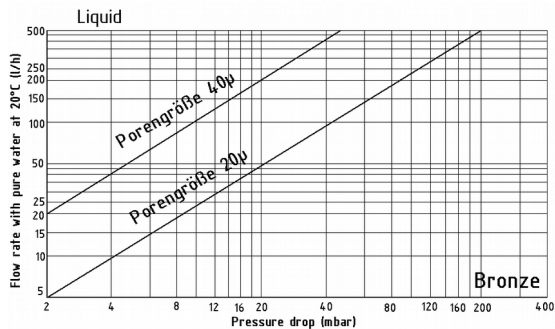
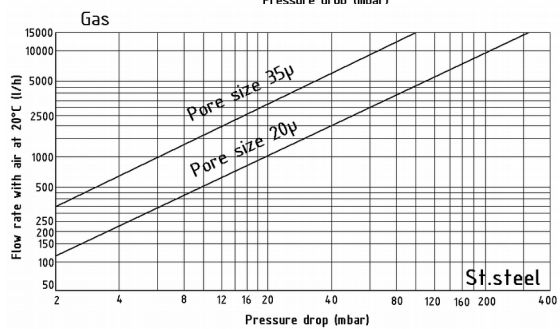
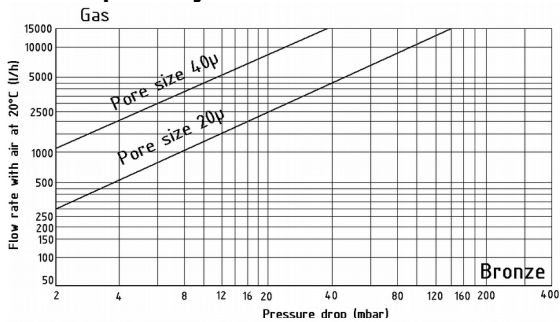
The company Horning is certified to **DIN EN ISO 9001 and ISO 14001:2009.**

All single parts are manufactured, assembled and tested in house.

The finished parts are therefore under the criteria of our exact quality control with 100% final control.



Medium porosity



Order details:

Material:

- 1 = brass
- 2 = stainless steel

Filter element

- 1 = bronze 20µ
- 2 = bronze 40µ
- 3 = stainless steel 20µ
- 4 = stainless steel I 35µ

Order example:

Filtertyp	
30	F1

30	- 1	1	Medium
Type	Material	Filter element	Medium

Accessories:

Filter elements, O-Rings