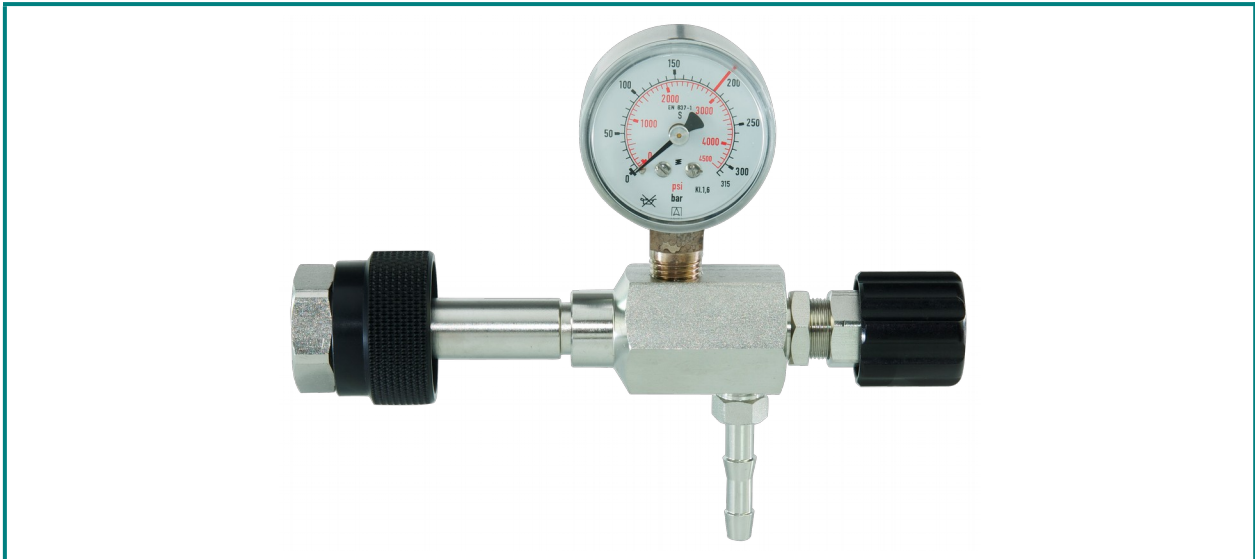


# Fine dosage valve Rossignol

- with cylinder valve connection according national standards



## Description:

The Rossignol metering valve will be fitted directly to the cylinder valve.

Due to the slim conus of the metering spindle the Rossignol valve guarantees precise metering. As an option the valve can be delivered with gauge for indicating cylinder pressure.

The Rossignol valve can not be used for pressure control.

## Applications:

The metering valve Rossignol will be used for industrial applications as well as for such in laboratories, e.g. for gases (like Hydrocarbons), where the vapour pressure is low or pressure control is not needed in applications.

## Technical details:

Body: brass, nickel plated or stainless steel

Seat: metering valve

Gaskets: viton

Inlet pressure max: 200 bar

Flow max.: 50l/min air

Operating temp.: -20 up to +70°C

Dimensions (wxhxd): 146 x 150\* x 75

Connections: inlet:  
DIN 477-1 (or on request)  
outlet:  
nozzle 6mm

\* modification with gauge and nozzle

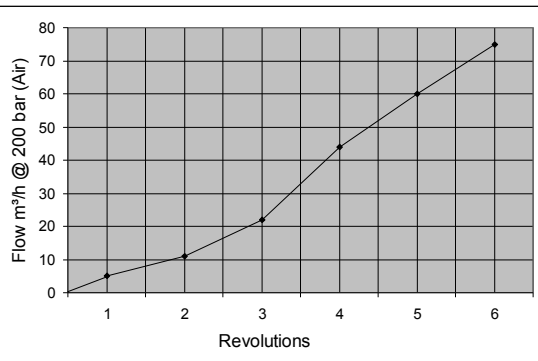
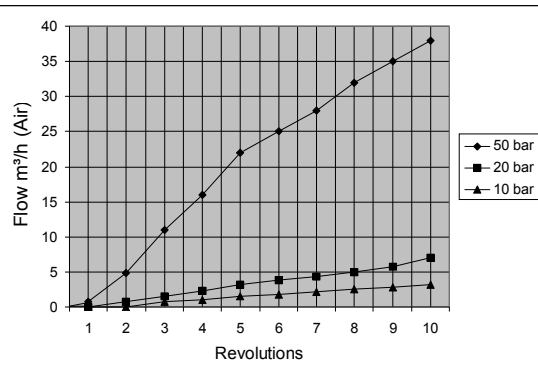
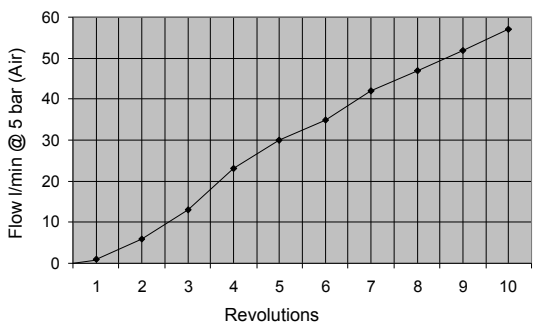
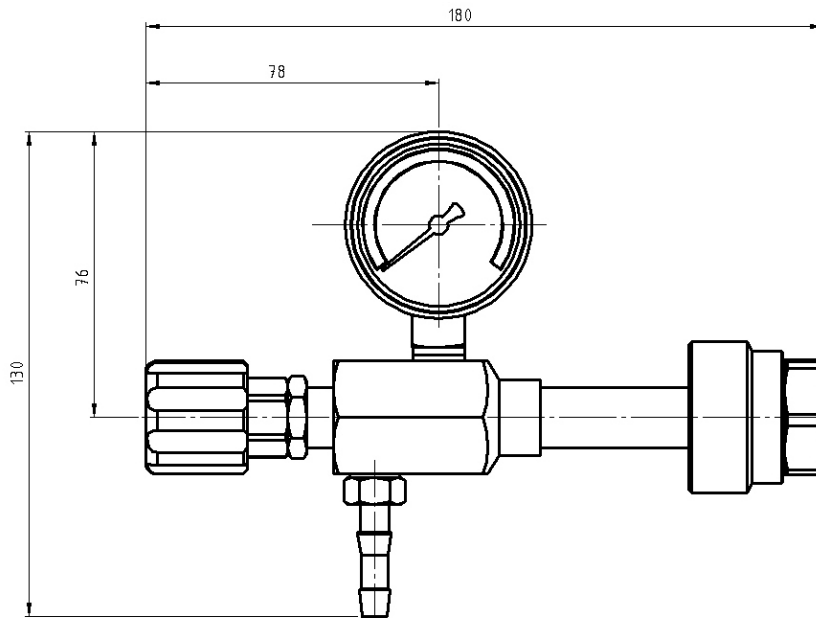
## Hornung Quality standard

The company Hornung is certified to **DIN EN ISO 9001 and ISO 14001:2009**. All single parts are manufactured, assembled and tested by in-house production. The finished parts are therefore under all criteria of German quality control with 100% final inspection.

Hornung GmbH  
Rathenaustraße 55, 63263 Neu-Isenburg

Phone: +49 6102 7883-70  
Fax: +49 6102 7883-40

www.hornung.org  
info@hornung.org



**Accessories:**

See total catalogue segment

- 5. Diaphragm shut-off and metering valves
- 7. Gauges, screws compression fittings and other accessories

**Ordering information:**

**Body:** 1 = brass, nickel plated  
2 = stainless steel

**Gaskets:** 1 = NBR  
2 = Viton

**Outlet connection:** 1 = nozzle 6mm  
2 = others

**Order example:**

<b>Valve type</b>	<b>Metering valve</b>
<b>Rossignol</b>	<b>62</b>

<b>62-</b>	<b>2</b>	<b>2</b>	<b>1</b>	<b>Gas</b>
Type	Body	Gasket	Outlet	Type of gas

