

Shut-off valve, AV 6 / AV 6 F



Description

For the safe gas shut-off for ranges up to 300 bar.

Applicable for left and right side of the cylinder manifold.

Oxygen compatibility certified by BAM Berlin.
Functional parts exchangeable

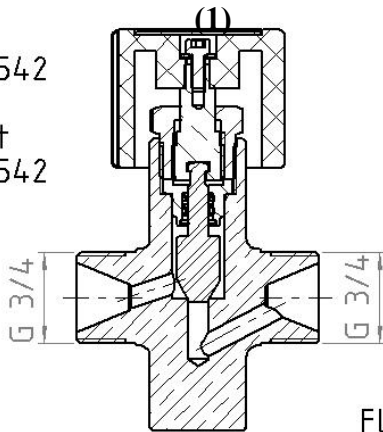
Also available with different housing connections and integrated, changeable filter element.

Housing connection options

The AV 6 / AV 6 F are available with the following inlet and outlet connections:

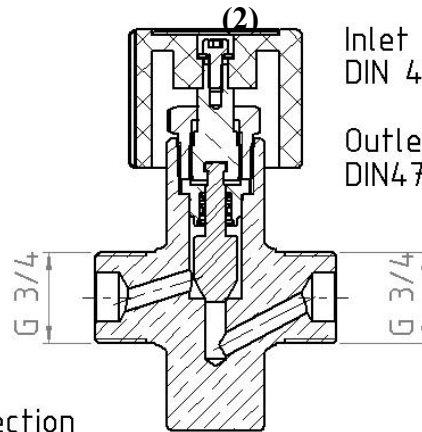
Inlet
DIN 8542

Outlet
DIN 8542



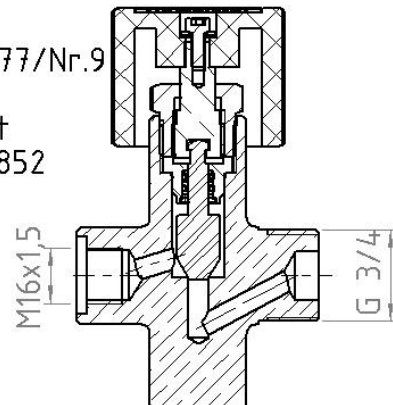
Inlet
DIN 477/Nr.9

Outlet
DIN477/ Nr.9



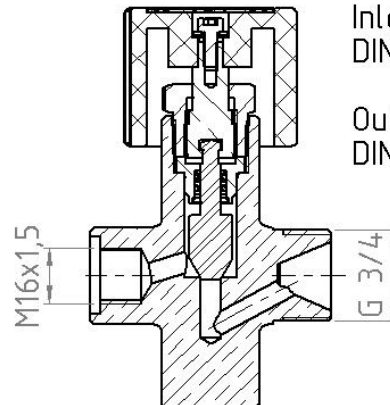
Inlet
DIN 477/Nr.9

Outlet
DIN 3852



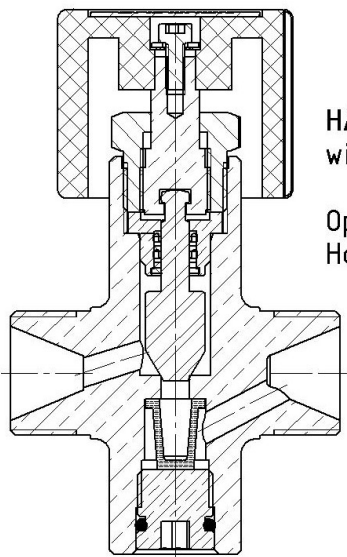
Inlet
DIN 8542

Outlet
DIN 3852



(3)

(4)



HAV 6 F
with filter

Optional
Housing connections

Parallel to our basis type AV 6 we also have a AV 6F on offer with integrated, easily changeable sinter metal – filter element.

The assembled filter element holds back fixed particles of up to 80 Micron and permits only cleansed gases to flow to the following equipment.

The type of in and outlet connections are also available in the housing connection choices.

Order details:

Housing connections:

- 1 = inlet/ outlet DIN 8542, G3/4
- 2 = inlet/ outlet DIN 477 / Nr. 9, G3/4
- 3 = inlet: DIN 477 / Nr.9 , G3/4
outlet: DIN 3852, M16x1,5
- 4 = inlet: DIN 8542 ,G3/4
outlet: DIN 3852, M16x1,5
- 5 = inlet: DKOS-S16 / M24x1,5
outlet: DKOS-S16 / M24x1,5
- 6 = inlet: M16x1,5 Innengewinde
outlet: DKOS-S16 / M24x1,5

Filter element

- 0 = without filter
- 1 = with filter [= AV 6 F]

Order example:

Valve type	
62	AV 6 (F)

62	- 3	1	Gas
Type	Connection	Filter element	Medium

Technical details:

- Material: brass
- Gaskets: viton
- max. pressure: 300 bar
- Pore size: 80µm (bronze)
- Bore: 6 mm
- Operating temp.: -20°C to +70°C
- Size: 70 x 120 x 50
- Weight: 640 g
- Connections: inlet / outlet
as chosen

Hornung Quality standard

The company Hornung is certified to **DIN EN ISO 9001 and ISO 14001:2009.**

All single parts are manufactured, assembled and tested in house.

The finished parts are therefore under the criteria of our exact quality control with 100% final control.