

Shut-off valve AV 4



Description

The shut-off valve AV4 distinguishes itself through its compact structure and replaceability of its functioning components.

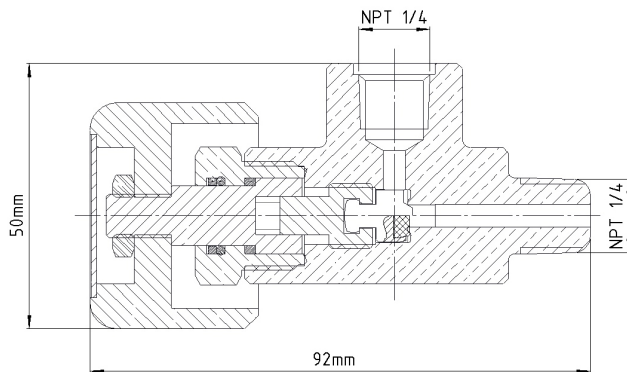
Its shut-off function guarantees a safe application in low and high pressure ranges.

It ensures a safe gas supply shut-off at a pressure range of up to 300bar.

Selection

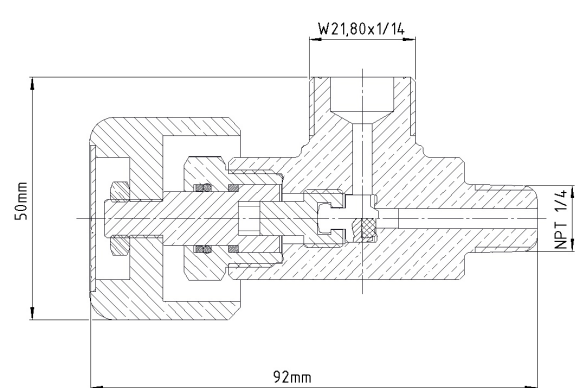
Main dimensions and selection criteria of the AV4 shut-off valve

Version (1)



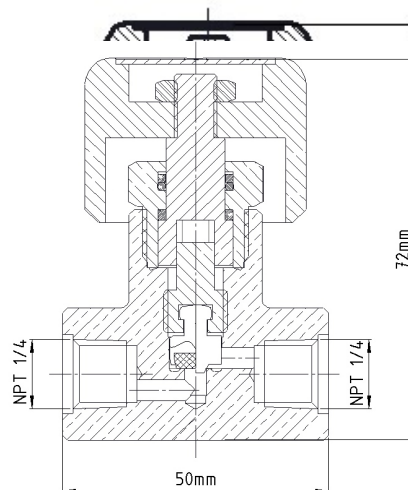
Inlet NPT 1/4" M
Outlet NPT 1/4" F

Version (2)



Inlet NPT 1/4" M
Outlet W21,80x1/14

Version (3)



Inlet NPT 1/4" F
Outlet NPT 1/4" F

Graphic 1

Horning GmbH
Rathenaustraße 55, 63263 Neu-Isenburg

Phone: +49 6102 7883-70
Fax: +49 6102 7883-40

www.horning.org
info@horning.org

Features/Application areas:

- The shut-off valve AV4 is suitable for applications with flammable, non-flammable and as well as toxic gases.
- The shut-off valve AV4 is available in an angle and globe pattern.
- Serves the purpose of an integrated component needed in pressure regulators and piping installations.
- The selection of a metallic sealing piston ensures necessary heat-resistance when dealing with an oxygen integrated application.

Technical details:

Material: brass
max. pressure: 300 bar
Nominal size: 4 mm
Operating temp.: -20°C to +70°C
Weight: ca. 325g

Ordering information:

- **Version:** Selection according to graphic 1 on the front page
- **Gasket:** 1 = PCTFE
2 = stainless steel

Order example:

Shut-off valve -Type	
62-	AV 4

62-	1	1	Gas type
Type	Version	Gasket	Medium

Hornung Quality standard

The company Hornung is certified to **DIN EN ISO 9001 and ISO 14001:2009**.
All single parts are manufactured, assembled and tested in house.
The finished parts are therefore under the criteria of our exact quality control with 100% final control.