

Precision pressure regulator FR 1



Gauges and fittings optional

Description:

The precision pressure regulator FR1 is a single-stage pressure reducing regulator out of stainless steel or aluminium. It was in particularly developed for precise gas withdrawal.

The FR1 is suitable both for the installation in piping systems and for the installation in control panels.

The Integrated balanced poppet ensures that with large changes in the input pressure a constant operating pressure is guaranteed.

An easily replaceable sintered metal filter element is integrated into the pressure regulator as standard.

Application area:

The precision pressure regulator FR1 is used particularly in the following areas:

- Gas analysis
- Gas chromatography
- Process engineering
- Metallurgy
- Laboratory applications.

Technical details:

Housing:	aluminium / st. steel
Valve seat:	stainless steel
Gaskets:	viton / NBR
Diaphragm:	viton / NBR / stainless steel
max. Inlet pressure:	12 bar
Regulating area:	20 mbar to 170 mbar 0,1bar – 7 bar
Operating temp.:	-20 to +70°C
Size:	106 x 48
Weight:	240g
Connections:	in / outlet NPT 1/8" f

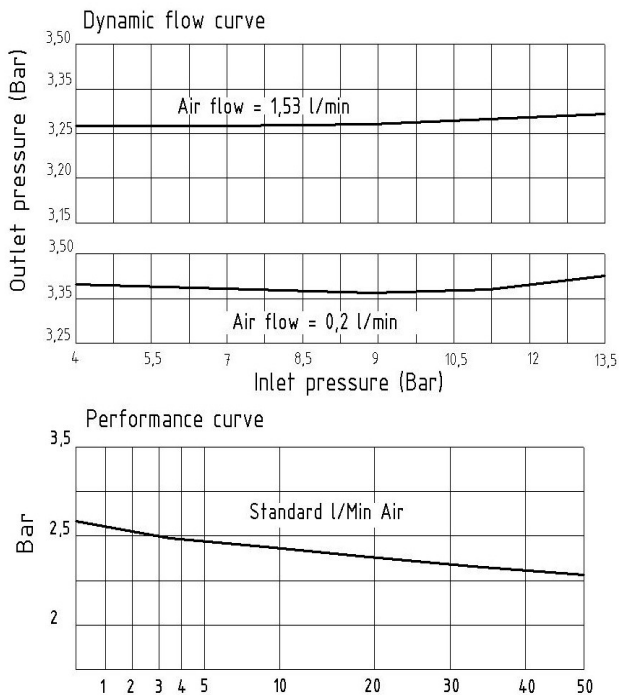
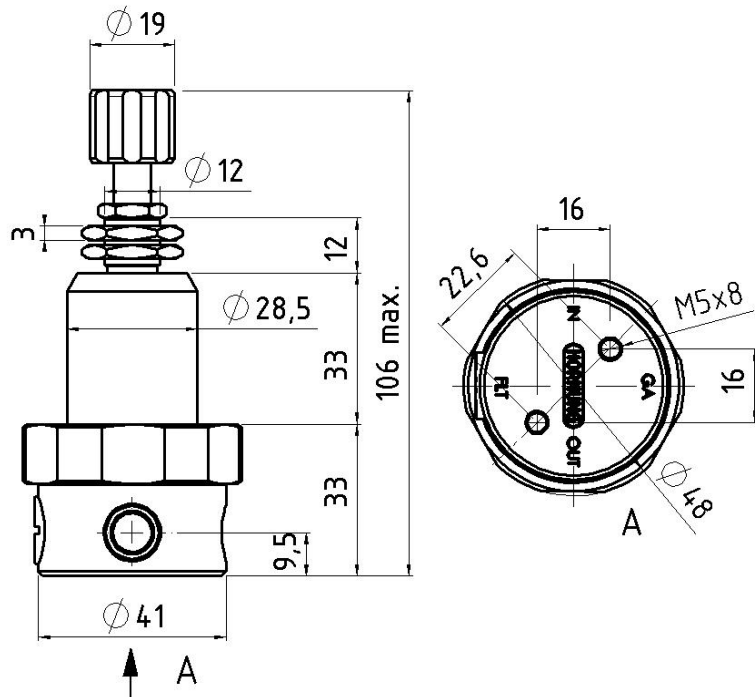
Hornung Quality standard

The company Hornung is certified to

DIN EN ISO 9001 and ISO 14001:2009.

All single parts are manufactured, assembled and tested in house.

The finished parts are therefore under the criteria of our exact quality control with 100% final control.



Order details:

Housing: 1 = aluminium
2 = st. steel (1.4404)

Diaphragm: 1 = NBR
2 = viton
3 = st. steel (1.4435)
4 = hastelloy (2.4610)

O-Rings: 1 = NBR
2 = viton

Gauge: 0 = none
1 = outlet gauge

Pressure area: 1 = 170 mbar
2 = 350 mbar

3 = 500 mbar
4 = 700 mbar
5 = 2,1 mbar
6 = 4,2 bar
7 = 7,0 bar

Order example:

Regulator type	
27	FR 1

27	- 2	3	2	1	4	Gas
----	-----	---	---	---	---	-----

Type Housing Diaphragm O-Rings Gauge Pressure Gas

Accessories:

7. Gauges, tube fittings und accessories

9. Console