

Line pressure regulator HD250



Description:

The Line pressure regulator HD250 is a single-stage pressure-regulator made of stainless steel 1.4404 or brass nickel and mat chrome plated. It is designed as a piston pressure regulator specifically for a high pressure range. The HD250 reduces the pressure of compressed gases or liquids to a maximum outlet pressure of 250 bar.

It works according to the principle of the force of equilibrium between the adjusted spring action and the outlet pressure.

Design:

This pressure regulator is specifically made for use with high inlet and outlet pressures and gases with a degree of purity of up to 5.0. The inlet and outlet of the regulator is equipped as standard with NPT 1/4" internal threads. The regulator can be optionally equipped with an inlet and an outlet gauge.

Technical details:

Material:	brass nickel plated or stainless steel
Seat:	PCTFE
Elastomere:	viton / NBR
Max. inlet pressure:	440 bar
Regulating area:	5 - 250 bar 1 - 100 bar 1 - 50 bar
Operating temp.:	-20°C to +70°C
Size:	131 x Ø53
Weight:	865g
Connections:	NPT 1/4" f

Horning Quality standard

The company Hornung is certified to **DIN EN ISO 9001 and ISO 14001:2009.**

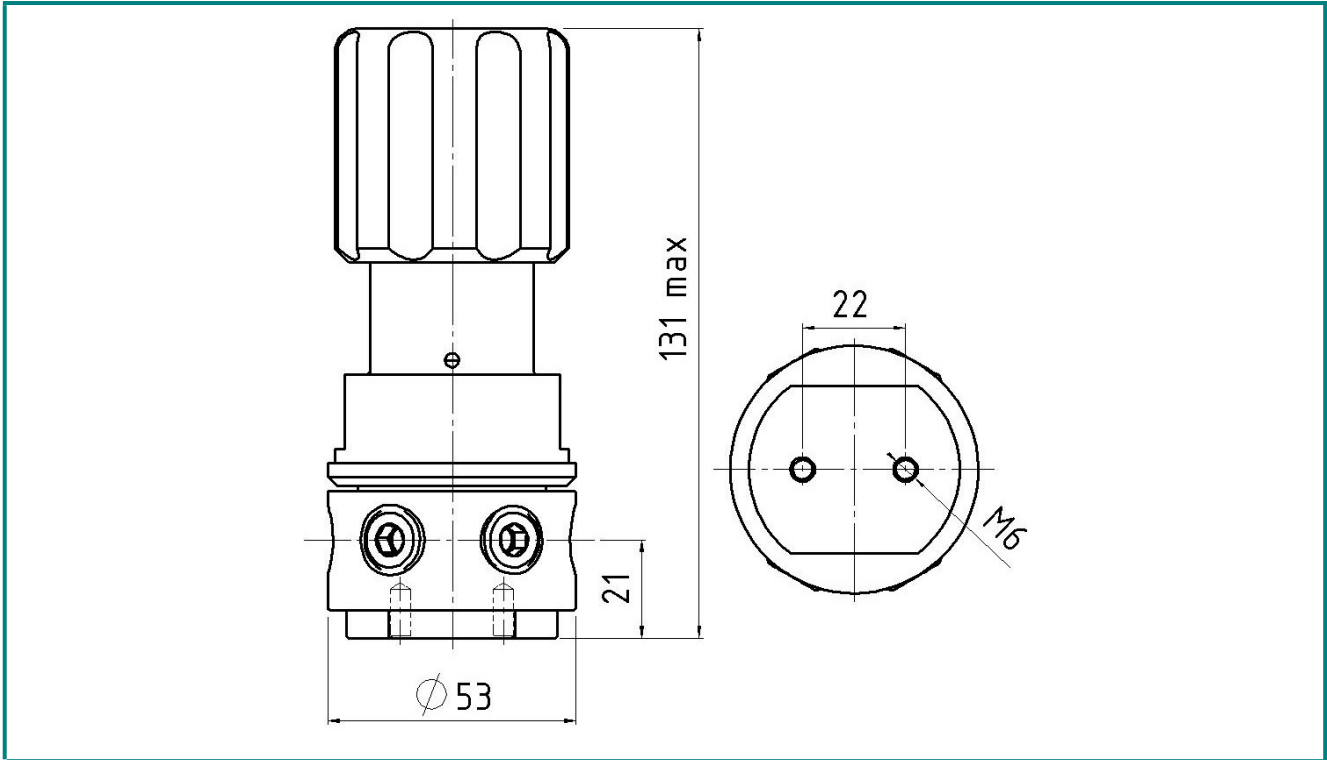
All single parts are manufactured, assembled and tested in house.

The finished parts are therefore under the criteria of our exact quality control with 100% final control.

Horning GmbH
Rathenaustraße 55, 63263 Neu-Isenburg

Phone: +49 6102 7883-70
Fax: +49 6102 7883-40

www.horning.org
info@hornung.org



Application area:

This pressure regulator is used especially for the withdrawal of a less amount of gas at high inlet and outlet pressures.

Due to its small size is this pressure regulator particularly suitable for use as a pilot pressure regulator e.g. in controlled systems in connection with dome pressure regulators.

The stainless steel construction with elastomere made of viton compound permits the use of aggressive media with this pressure regulator. We urgently recommend the pre-connection of a Fine filter, with at least a level of purity of up to 40µ, as well as the subsequent integration of suitable safety valves against unduly high pressure.

Order details:

Material:

- 1 = brass
- 2 = st. steel

Elastomere:

- 1 = NBR
- 2 = viton

Pressure:

- 1 = 5 – 250 bar
- 2 = 1 – 100 bar
- 3 = 1 – 50 bar

Gauge:

- 1 = without gauges
- 2 = outlet gauge
- 3 = in and outlet gauges

Outlet option:

- 00 = NPT 1/4" f
- 03 = olive joint connection 3mm
- 06 = olive joint connection 6mm
- 08 = olive joint connection 8mm
- 10 = olive joint connection 10mm
- 12 = olive joint connection 12mm

Order example:

Regulator type	
42	HD250

Accessories:

- 7. Gauges, tube fittings und accessories,
- 8. Fine filter F1, safety valves available on request