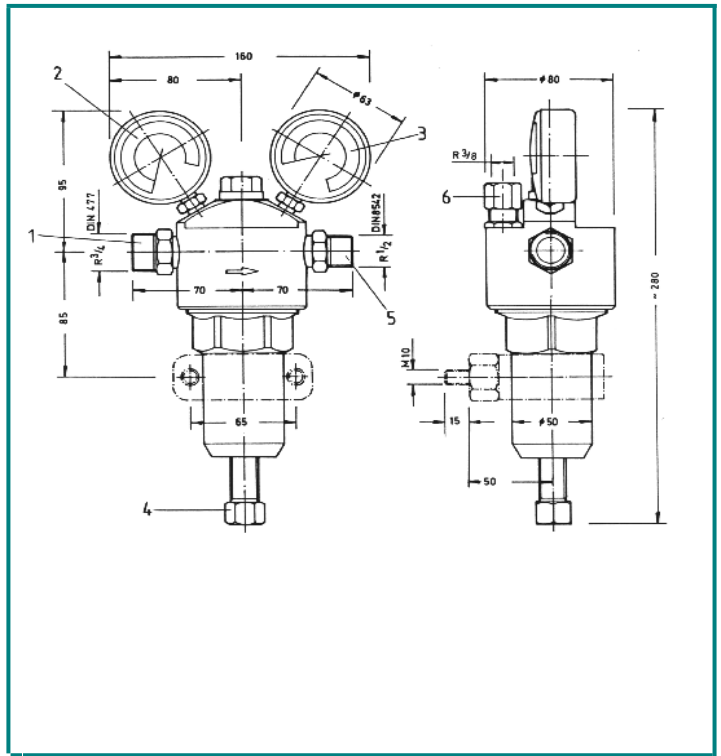
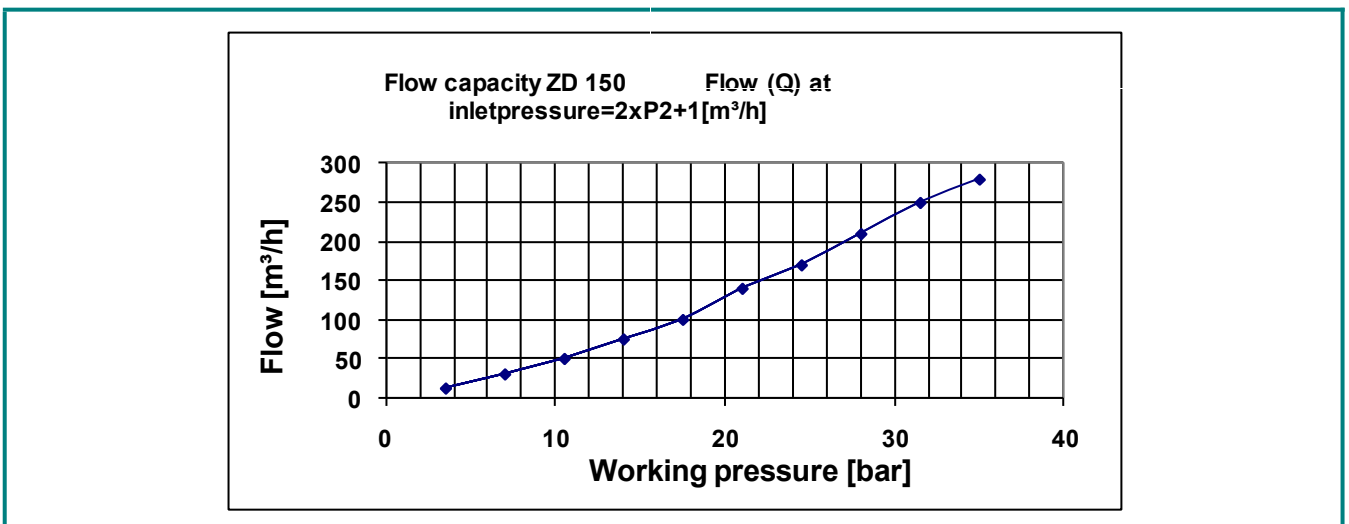


Central pressure regulator ZD 150



Model	Gas	Inlet pressure P1	Outlet pressure P2	Flow Q1	Inlet connection	Outlet connection
ZD 150	NF, F, NC,C	max. 300 bar	max. 40 bar	max. 280m ³ /h	W21,8x1/14 DIN 477	G1/2 DIN EN 560



The central pressure regulator ZD 150 reduces a maximum inlet pressure from 300 bar down to 40 bar and kept constant. The ZD 150 is supplied in brass for non-corrosive, flammable (except acetylene) and non-flammable gases as well as stainless steel for corrosive gases.

The ZD 150 is a single stage regulator with safety valve and certified to DIN EN 961 (ISO 7291) BAM. The regulator is available in straight or 90° configuration and can also be supplied with a wall bracket.