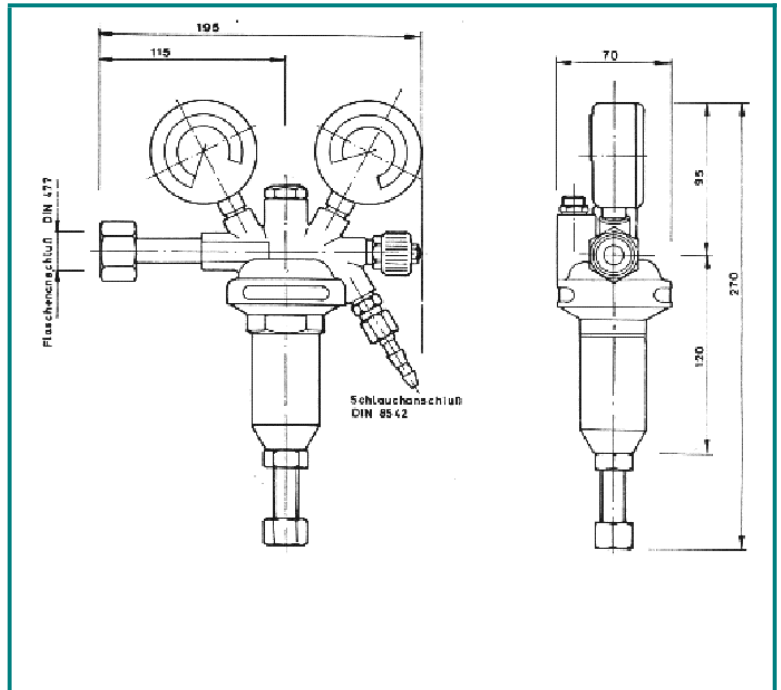
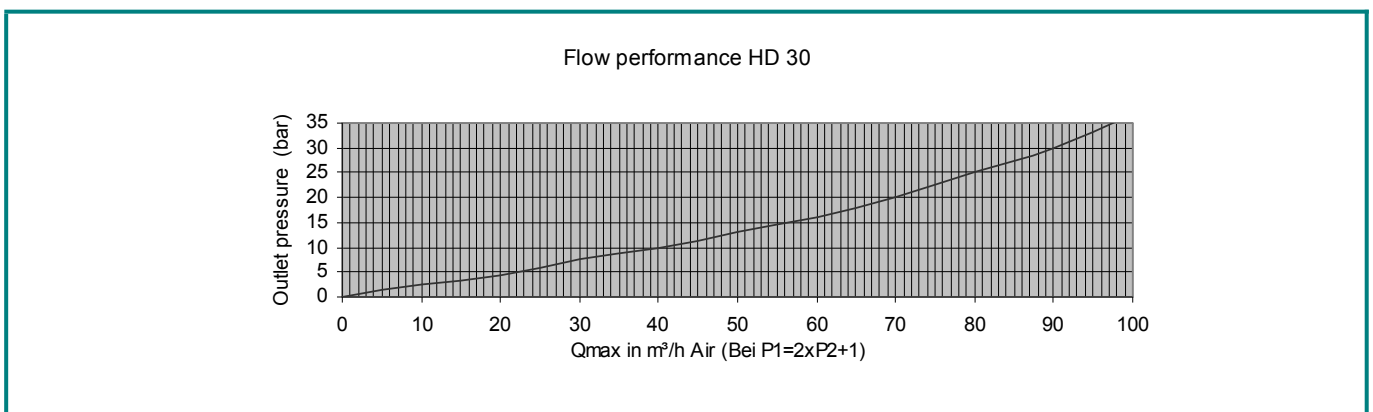


High pressure regulator HD 30



Model	Gas	Inlet pressure P1	Outlet pressure P2	Flow Q1	Inlet connection	Outlet connection
HD 30	F, NF, NC	max. 300 bar	max. 30 bar	max. 80 m ³ /h Air	cylinder DIN 477/CEN	DIN EN 560



The cylinder pressure regulator HD 30 reduces the bottle pressure from under pressure dissolved gases as well as liquid gases from max. 300 bar down to 30 bar max.

The regulator can be delivered for other gases, nickel or chrome plated with metal diaphragm and hand connection.