

Cylinder pressure regulator HD250 FL



Description:

The Cylinder pressure regulator HD250 FL is a single-stage pressure-regulator made of matt Chrome plated brass or high-grade steel 1.4404.

The HD250 FL is designed as a piston pressure-regulator and reduces the pressure of compressed gases to a maximum outlet pressure of 250 bar.

It works according to the principle of the force equilibrium between the adjusted spring action and the outlet pressure.

The pressure regulator is fitted as standard with gas specific connections.

Design:

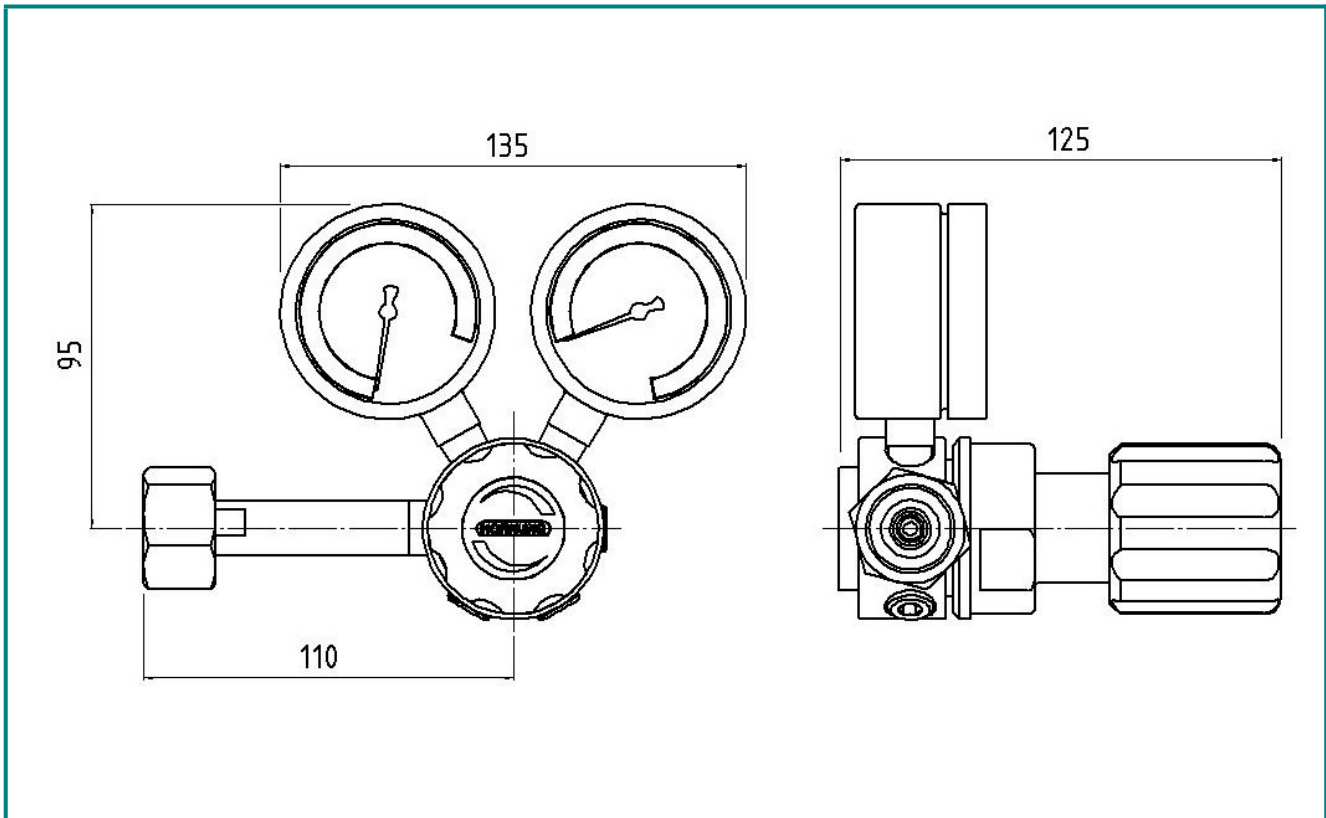
This pressure regulator is designed for use with high inlet and outlet pressures.

Technical details:

Material:	brass matt chrome plated or stainless steel
Seat:	PCTFE
Elastomere:	viton / NBR
Max. inlet pressure:	440 bar
Operating area:	5 - 250 bar 1 - 100 bar 1 - 50 bar
Operating temp.:	-20°C bis +70°C
Size:	180 x 95 x 125
Weight:	1350g
Connections:	NPT 1/4" f

Hornung Quality standard

The company Hornung is certified to **DIN EN ISO 9001 and ISO 14001:2009**. All single parts are manufactured, assembled and tested in house. The finished parts are therefore under the criteria of our exact quality control with 100% final control.



Application area:

This pressure regulator is designed for use with high inlet and high outlet pressures.

High pressure applications.

The high-grade stainless steel construction with gaskets made of Viton compound permits the use of aggressive media with this pressure regulator.

Order details:

Material:

- 1 = brass
- 2 = stainless steel

Elastomere:

- 1 = NBR
- 2 = viton

Inlet pressure:

- 1 = 200 bar
- 2 = 300 bar

Outlet pressure:

- 1 = 5 – 250 bar
- 2 = 1 – 100 bar
- 3 = 1 – 50 bar

Order example:

Regulator type	
34	HD250 FL

34	- 1	1	2	1	Gasart
Typ	Mat.	Elast.	Inlet	Outlet	Gasart

Accessories:

See total catalogue segment

- 7. Gauges, Screw connections and accessories (pure gas)
- 8. Fine filter and safety valve available on request.