

Cylinder pressure regulator HD400 FL

- for high pressure applications



Description:

HD400 FL is a single-stage pressure regulator made of brass, nickel and matt chrome plated or stainless steel 1.4404.

HD400 FL is designed as a piston pressure regulator and reduces the pressure of compressed gases to a maximum outlet pressure of 300 bar.

The pressure regulator will be fitted with gas specific connections to all common national standards.

Application area:

This pressure regulator is designed for use with high inlet and high outlet pressures.

High pressure applications.

The high-grade stainless steel construction with gaskets made of Viton compound permits the use of aggressive media with this pressure regulator.

Technical Details:

Body:	stainless steel 1.4404 electropolished or brass, nickel and matt chrome plated
Seat:	PCTFE
Gaskets:	viton / NBR
Max. inlet pressure:	300 bar
Outlet pressure ranges:	10 - 300 bar
Operating temp.:	-20°C up to +70°C
Dimensions (WxHxD):	180 x 95 x 125
Weight:	1350g
Connections:	NPT ¼" f

Hornung Quality standard

The company Hornung is certified to **DIN EN ISO 9001 and ISO 14001:2009.**

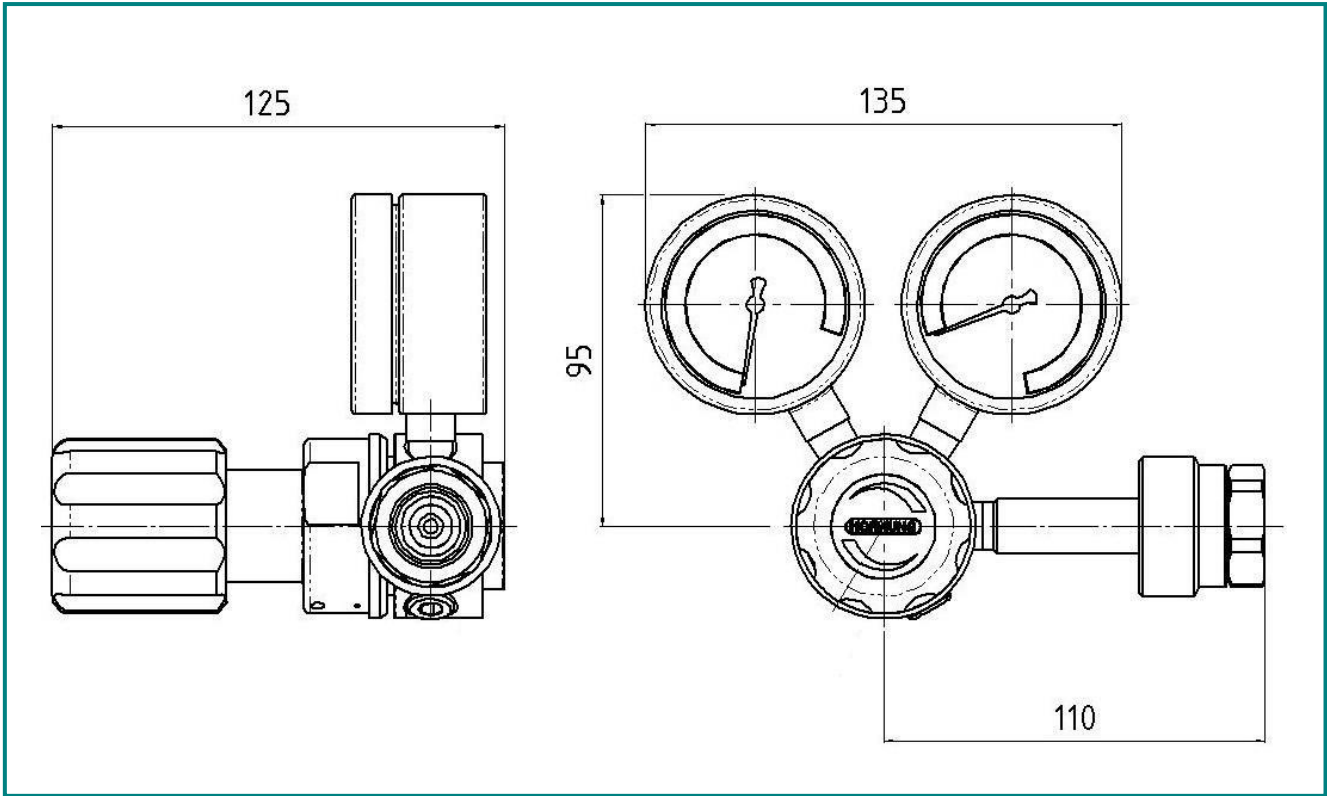
All single parts are manufactured, assembled and tested by in-house production.

The finished parts are therefore under the criteria of our German quality control system with 100% final inspection.

Hornung GmbH
Rathenaustraße 55, 63263 Neu-Isenburg

Phone: +49 6102 7883-70
Fax: +49 6102 7883-40

www.hornung.org
info@hornung.org



Accessories:

See total catalogue segment

- 7. Gauges, screws, Cylinder holders and accessories
- 8. Compression fittings

Ordering information:

Material:

- 1 = brass, nickel and matt chrome plated
- 2 = stainless steel

Gaskets:

- 1 = NBR
- 2 = viton

Ordering example:

Regulator type	
50	HD400 FL

50-	1	1	Gas
Type	Mat.	Gasket	gas type