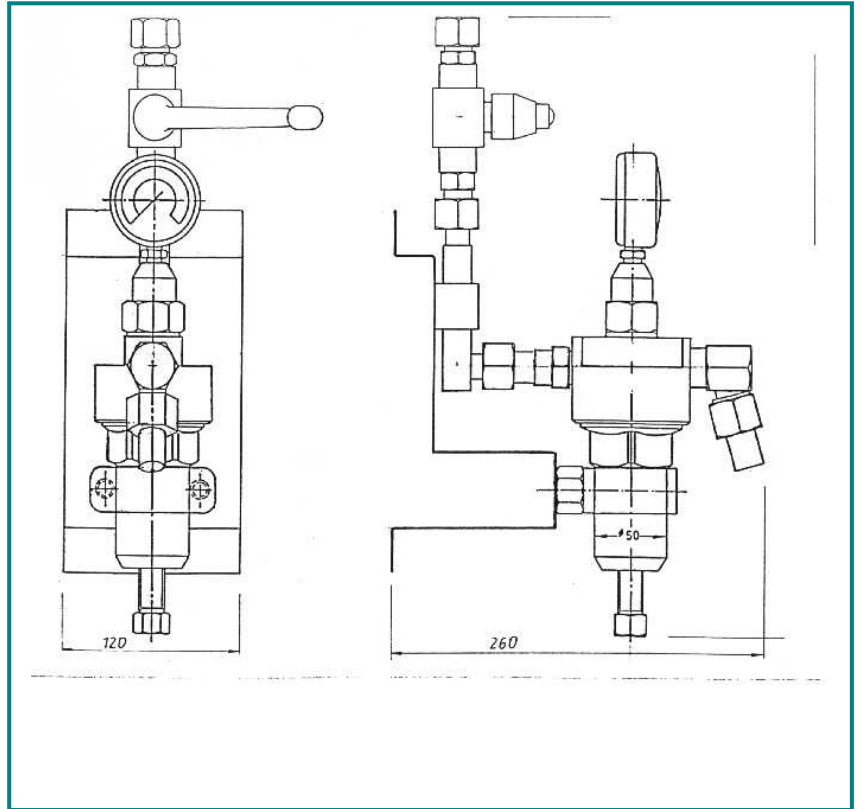
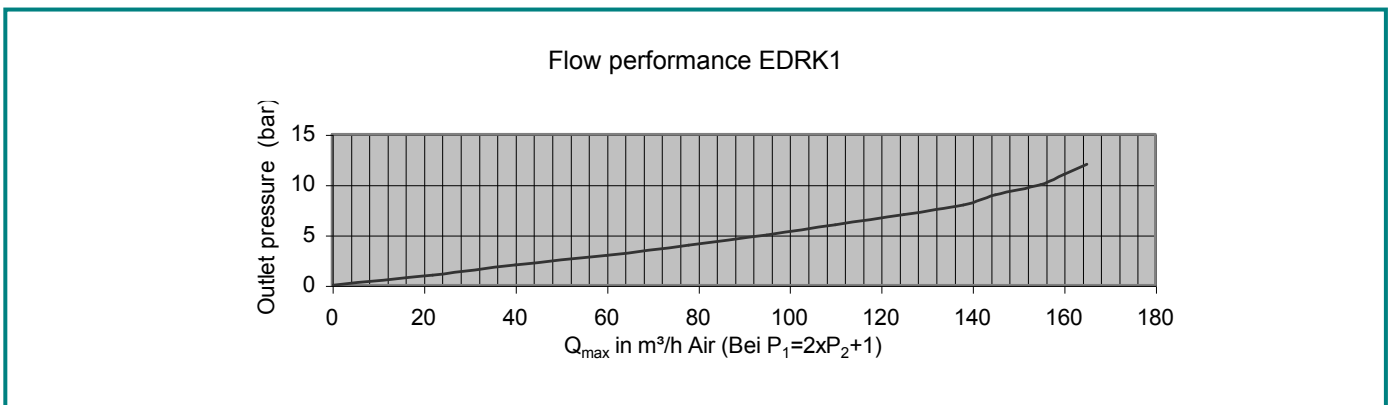


Supply station EDRK 1



Model	Gas	Inlet pressure P1	Outlet pressure P2	Flow Q1	Inlet connection	Outlet connection
EDRK 1 ST	F, NF,NC	max. 35 bar	max. 30 bar	See diagram	Clamp screw Ø16	G ^{3/4}



Gas supply stations that are fed over a ring and junction system. For large flow volumes from flame cutting, plasma and laser cutting applications.

The EDRK 1 consists of one regulator, ball valve and mounting bracket.