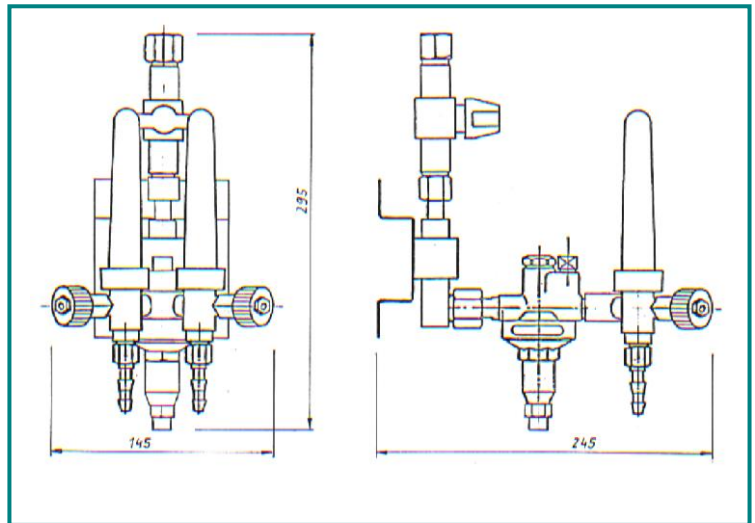


## Supply station EDR - Flow



Model	Gas	Inlet pressure P1	Inlet connection	Outlet connection
EDR-FLOW	F, NF, NC	max. 25 bar	Clamp screw Ø12	G 1/4, G 3/8 LH DIN EN 560

N2	CO2Ar	Formiergas	H2O	Type
1-16 l/min 4-32 l/min	1-16 l/min 3-30 l/min	1-16 l/min 3-30 l/min	1-16 l/min 2-32 l/min	1,2 or 3 X

Gas supply stations that are fed over a ring and junction system. The gas volume can be adjusted with the flowmeter.

Our supply station EDR-Flow consists of one regulator, flow measurer. ball valve, dosage/ shut-off valve and a wall console.

This station can be delivered with one, two or three outlets.